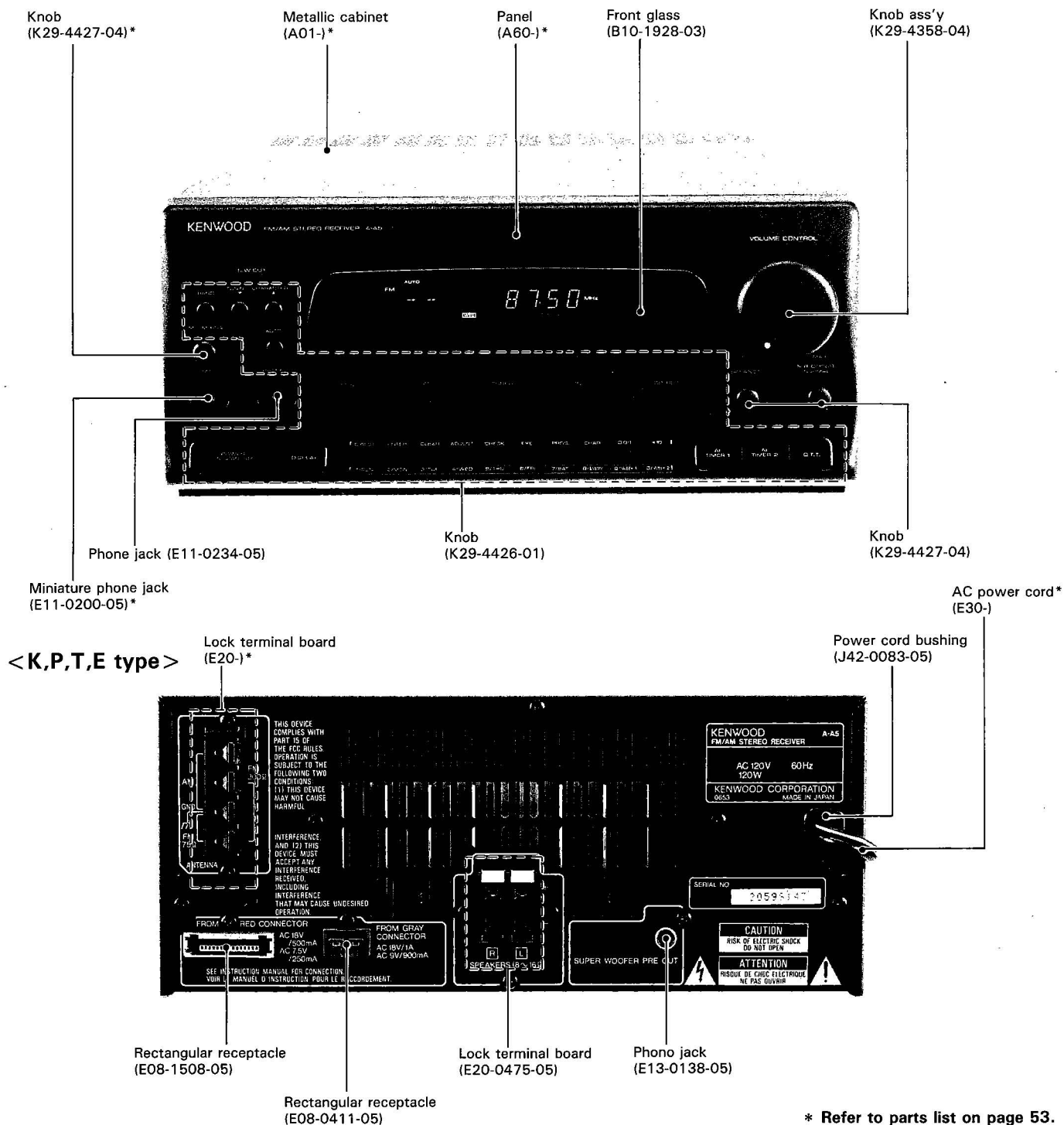


A-A5/A5L

SERVICE MANUAL

(COMPACT HI-FI SYSTEM UD-500/500M)



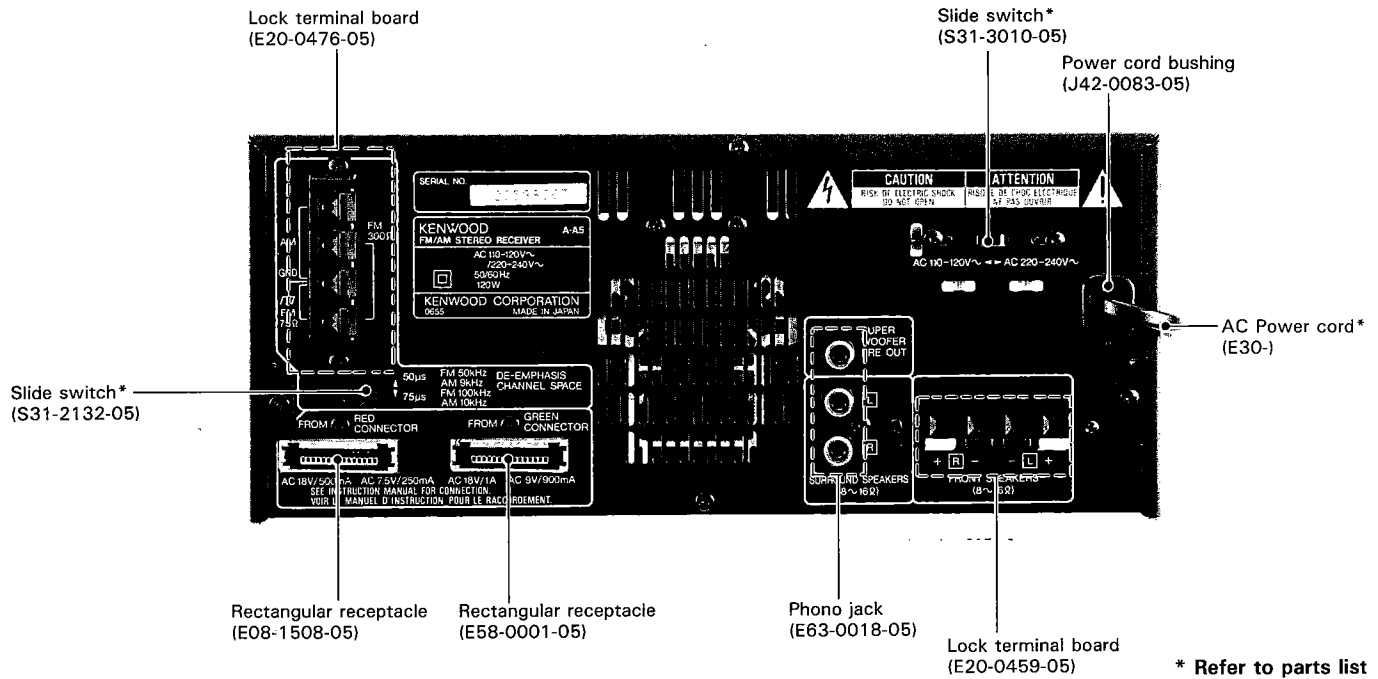
* Refer to parts list on page 53.
Photo is A-A5.

[A-A5 : K,P,Y,M,X type]
[A-A5L: T,E type]

Refer to the SERVICING NOTES on page 2 before repair.

CONTENTS/SERVICING NOTES

<Y,M,X type>



* Refer to parts list on page 53.

Contents

CONTENTS/SERVICING NOTES	2
ACCESSORIES	3
PACKING	4
CONTROLS AND INDICATORS	5
DISASSEMBLY FOR REPAIR	7
BLOCK DIAGRAM	11
CIRCUIT DESCRIPTION	13

ADJUSTMENT	22
WIRING DIAGRAM	25
PC BOARD (Component side view)	27
SCHEMATIC DIAGRAM	33
EXPLODED VIEW	49
PARTS LIST	53
SPECIFICATIONS	68

Servicing notes

① This unit does not contain a selector IC. However, as INPUT SELECTOR IC is incorporated into the graphic equalizer (GE-A5), signal system goes through the graphic equalizer. Since each speaker relay of this unit is operated according to the data that is serially transmitted from the graphic equalizer (GE-A5), the receiver cannot output sound alone. To output a tuner signal to each speaker terminal, follow the following procedures.

Procedure 1)

Direct the tuner output to the main amplifier input. Connect the test pin on the right (lower right of the tuner board) of the main amplifier board (X09, A/6) (Fig. 1 or 2)

Front amplifier

K,P,T,E type (Fig. 1)	[Pins 8 and 9 (Left channel) Pins 6 and 4 (Right channel)
Y,M,X type (Fig. 2)	
	[Pins 3 and 1 (Left channel) Pins 4 and 17 (Right channel)

After turning power ON in this setting, front L & R channels are output.

Procedure 2)

Enter the test mode. (Hold down the CHARACTER key, and insert the AC plug into the outlet.)

All fluorescent displays light.

1) Press the LD/AUX key. (The front speaker outputs sound.)

2) Press the CHARACTER key. (S.W. OUT outputs sound.)

* Normally, S.W. OUT is operated by Remote control unit.

② Be sure to use the designated part (parts no. F20-1284-05) for the isolation of the power (final) transistor.

③ Y,M,X type only.

The cooling fan of the Main board (X09) is usually rotating at a low speed but, when the heat sink temperature rises above 80°C, temperature assurance switch S1 opens and the fan starts high-speed rotation. When the temperature further rises above 105°C, temperature assurance switch S2 also opens and the protection circuitry is activated to stop the output. (To release the protection, turn power OFF. To check the high-speed rotation operation of the fan, short-circuit test points W67 and W92.)

SERVICING NOTES/ACCESSORIES

Fig. 1 (K, P, T, E type)

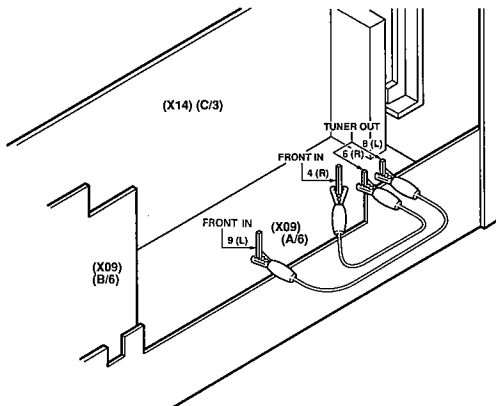
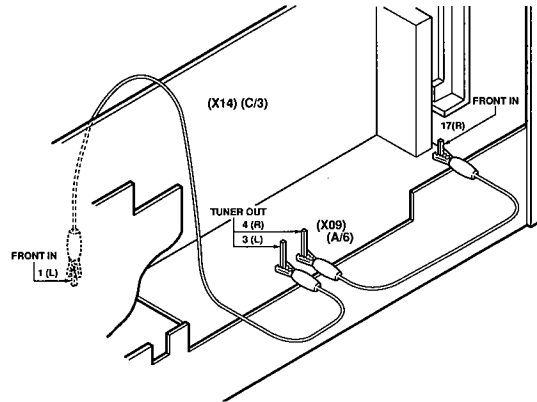


Fig. 2 (Y, M, X type)

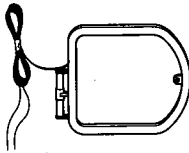


④ The A-A5 and A-A5L are made in different countries. However, their circuits are identical.

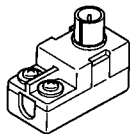
Model name	ABB.	Audio unit			Display unit		
		Japan made	Singapore made	France made	Japan made	Singapore made	France made
A-A5	K	X09-3680-11	X09-3720-10	—	X14-3620-12	X14-3640-11	—
	P	X09-3680-11	X09-3720-10	—	X14-3620-12	X14-3640-11	—
	Y	X09-3670-22	—	—	X14-3620-22	—	—
	M	X09-3670-22	X09-3710-22	—	X14-3620-22	X14-3640-22	—
	X	X09-3670-72	X09-3710-72	—	X14-3620-72	X14-3640-72	—
A-A5L	T	X09-3680-51	X09-3720-51	X09-3720-52	X14-3622-72	X14-3642-72	X14-3642-73
	E	X09-3682-71	X09-3722-71	X09-3722-72	X14-3622-72	X14-3642-72	X14-3642-73

Accessories

- AM loop antenna 1
(T90-0173-05): Japan made
(T90-0174-05): Singapore made
(T90-0153-05): France made



- Antenna adaptor
(75 Ω/300 Ω) 1
(For U.K. and Europe)
(T90-0185-05)

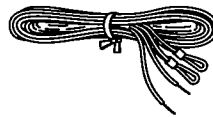


- Remote control unit 1
(X94-1000-61)
Battery cover (A09-0115-13)

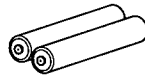


Remote control unit is packed with the graphic equalizer unit.

- FM indoor antenna 1
(T90-0176-05): Japan made
France made
(T90-0175-05): Singapore made



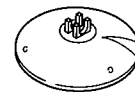
- Batteries (R03/AAA) 2



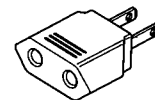
- Speaker cords (E30-1297-05)
..... Red/Black x 2



- Loop antenna stand 1
(J19-2815-04)



- AC plug adaptor 1
(Except for some areas)
(E03-0115-05)



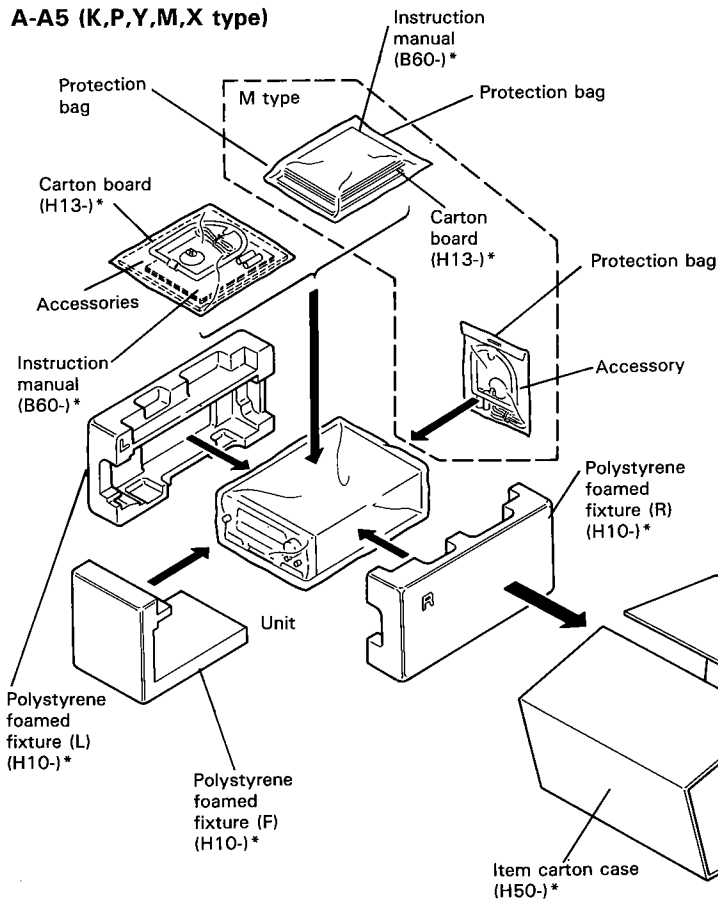
For the unit with a European AC plug in areas other than Europe.

Speaker cords are packed with the speakers. Remote control unit is packed with the graphic equalizer unit. All other accessories are packed with the receiver unit.

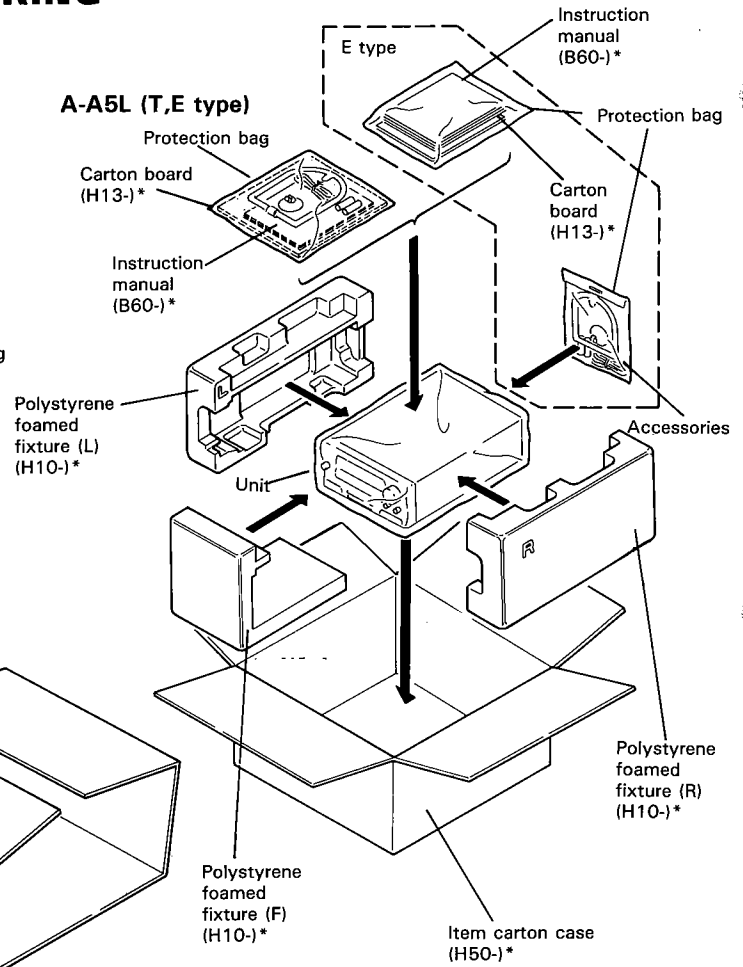
A-A5/A5L

PACKING

A-A5 (K,P,Y,M,X type)

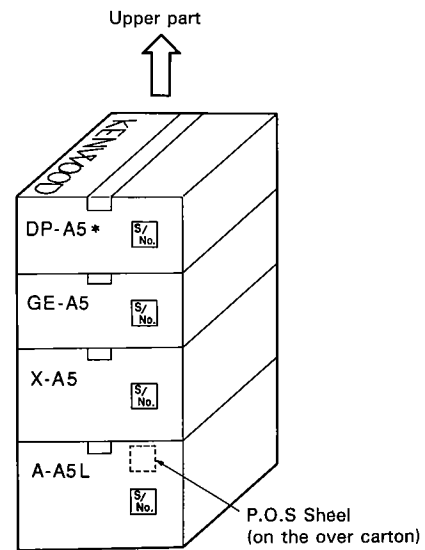
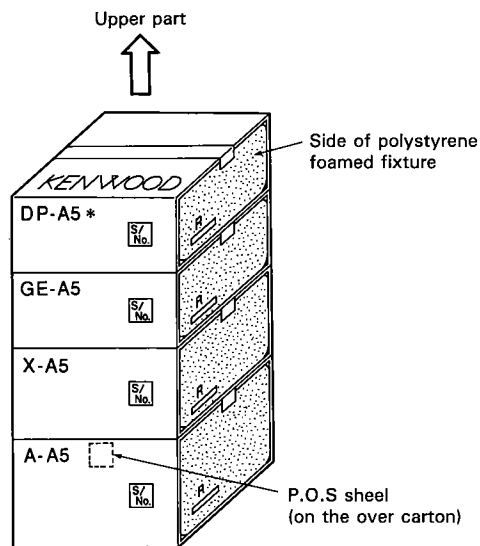


A-A5L (T,E type)



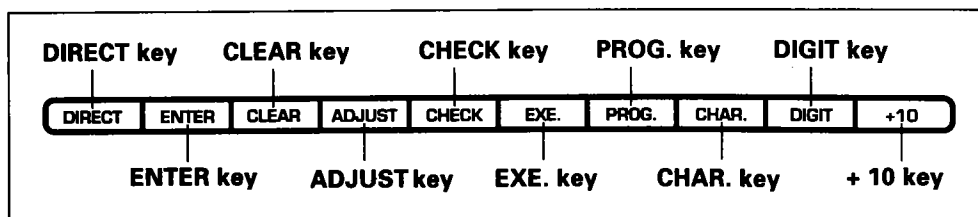
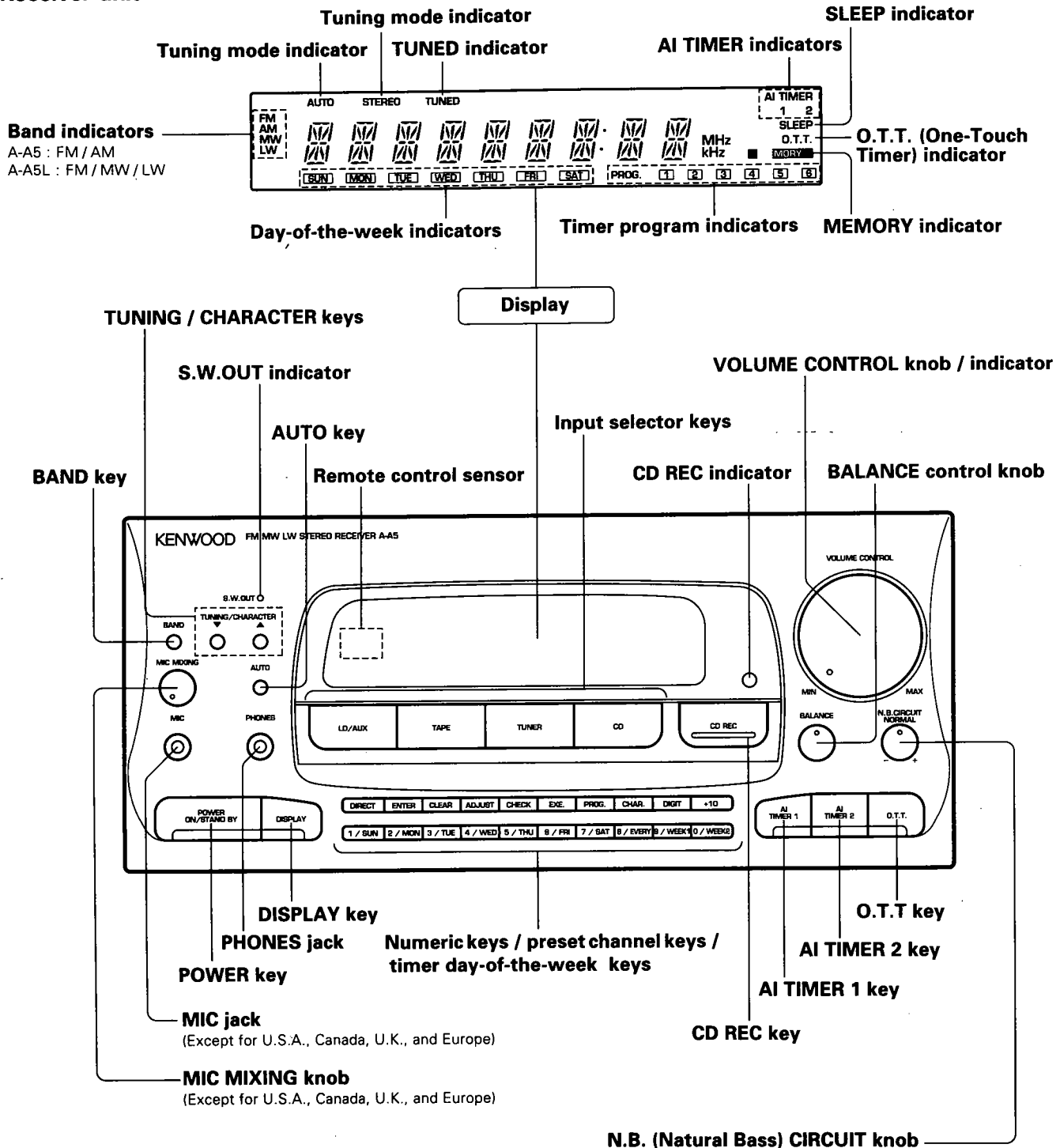
* Refer to parts list on page 53.

* UD-500: DP-A5
UD-500M: DP-MA5



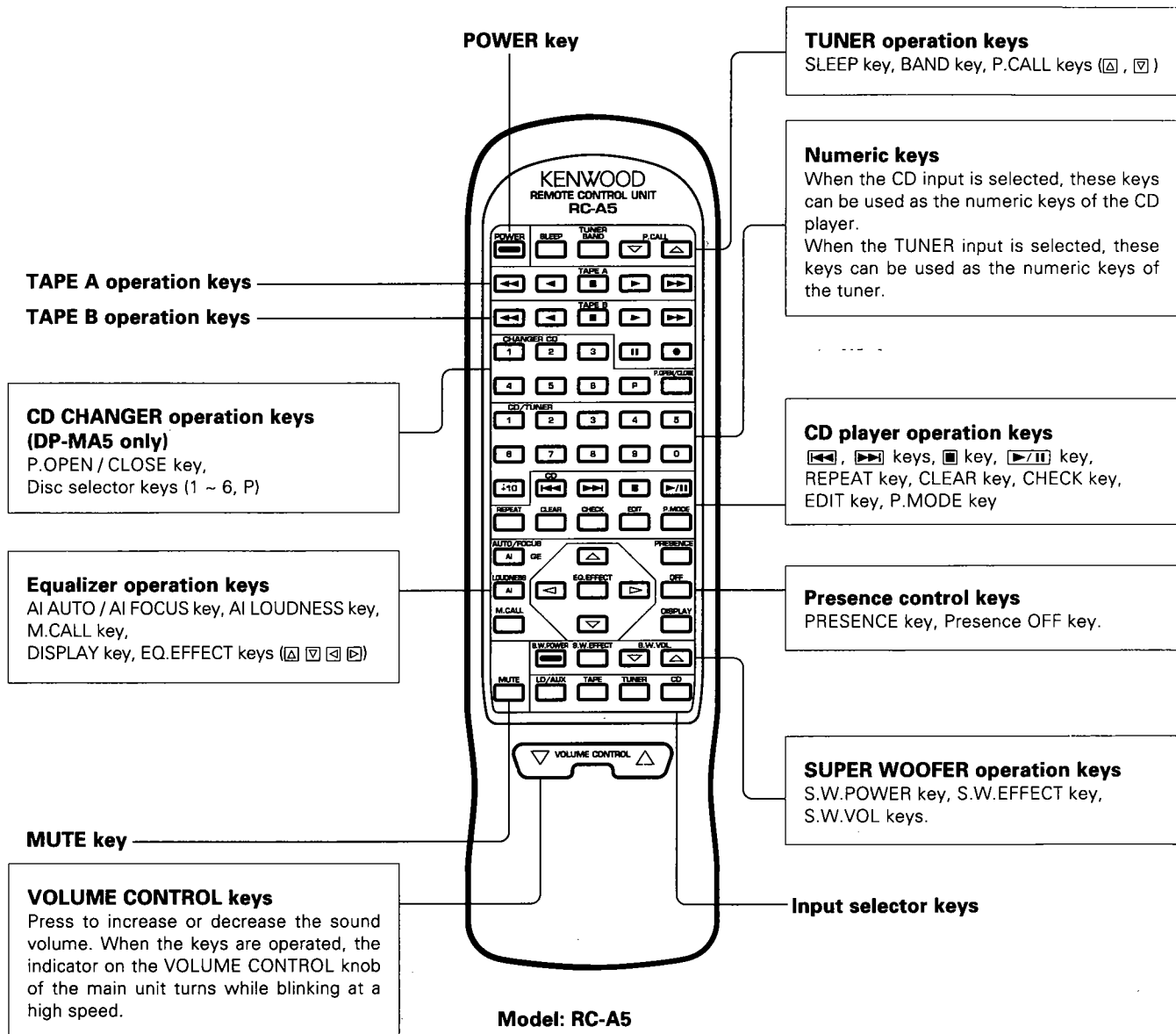
CONTROLS & INDICATORS

Receiver unit



CONTROLS & INDICATORS

Remote control unit



Model: RC-A5
Infrared control system

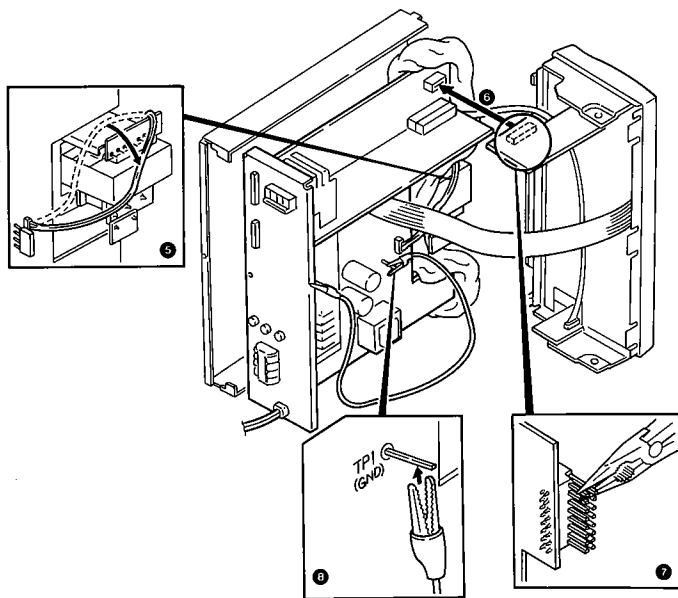
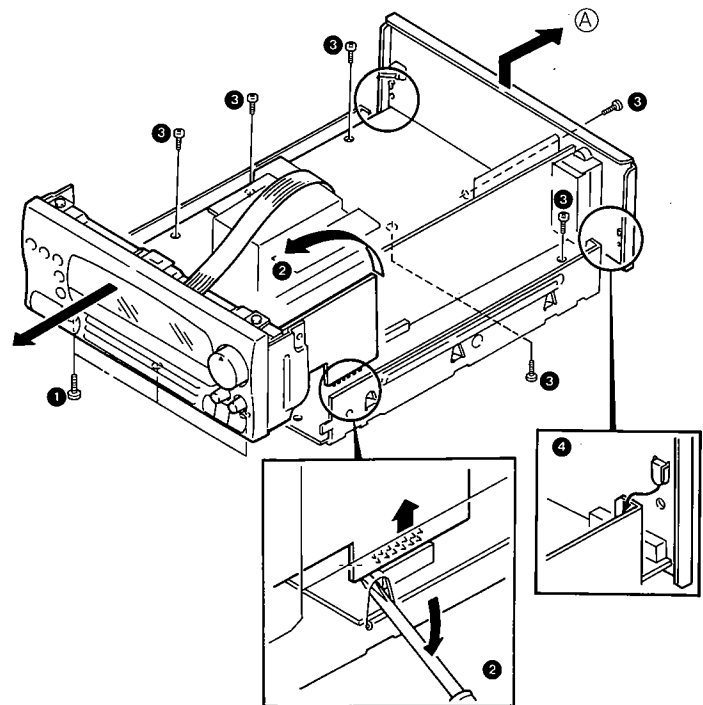
DISASSEMBLY FOR REPAIR

<K,P,T,E type>

1) Removing the audio main unit (X09: A/6)

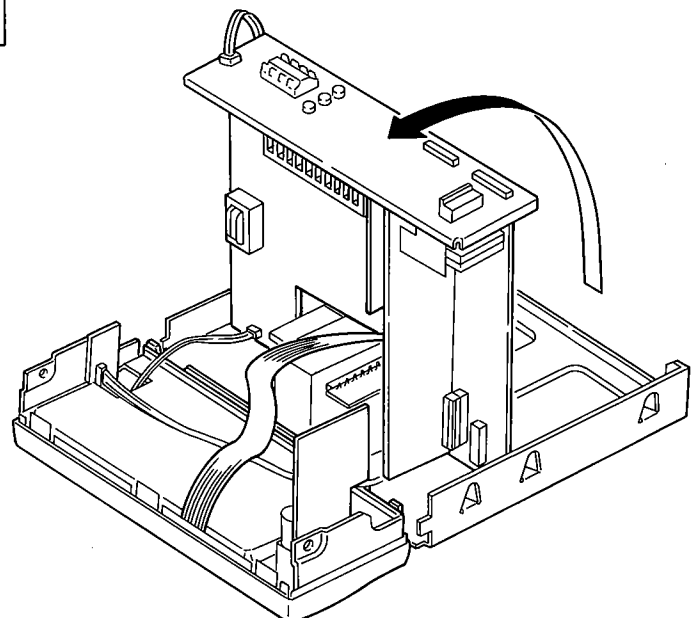
1. Remove the three screws (1), then remove the front panel while disconnecting the connector in the direction of arrow (2).
2. Remove the six screws (3), then remove the audio main unit in the direction of arrow (A).

Note: When installing the audio main unit, insert the clows as shown in the figure (4).



2) How to check the audio main unit (X09: A/6)

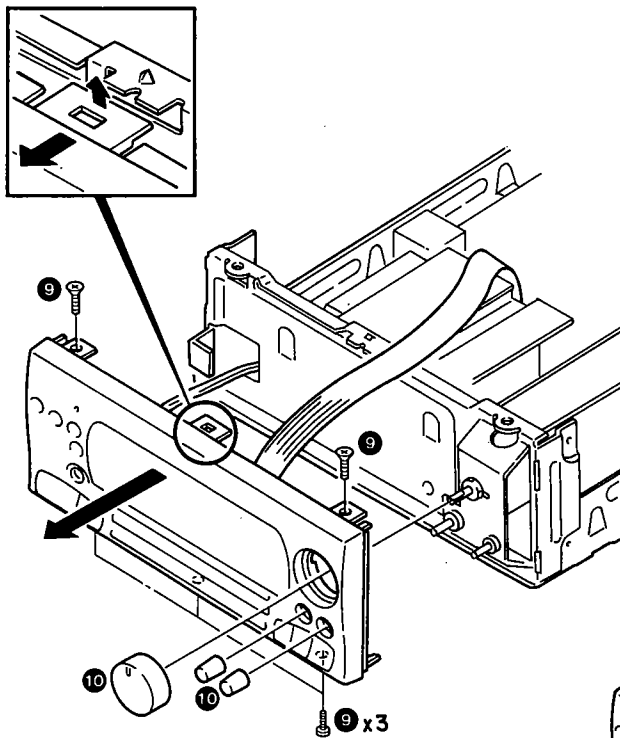
1. Stand the set with the right side upward, then move the audio main unit to parallel while moving the secondary parallel lead as shown in the figure (5).
 2. Insert the connector of volume unit (X09: B/6) to the connector of audio main unit (6).
- Note: When the pins of connector is bent, correct them as shown in the figure (7).
3. Lay a cloth between the audio main unit and transformer, and connect the board ground TPI to the rear panel (8).



4. In case check the main unit only, be able to check without connect the front panel side. Stand the audio main unit with the rear panel side upward as shown in the figure.

A-A5/A5L

DISASSEMBLY FOR REPAIR



3) Removing the front panel

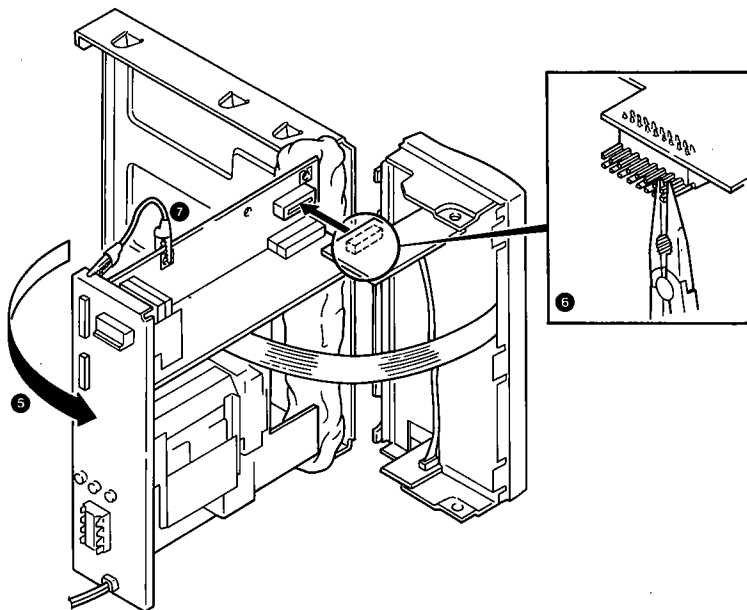
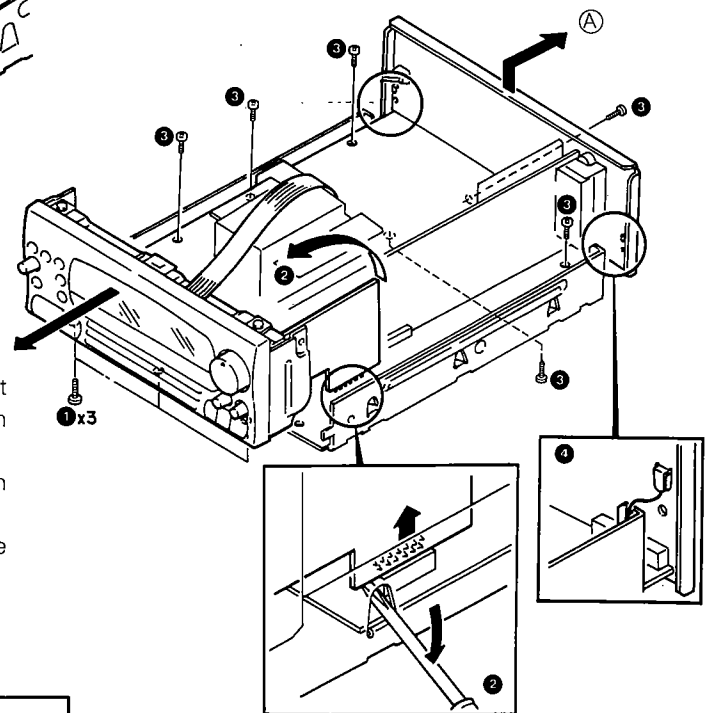
1. Remove the five screws (9).
2. Remove the three knobs (10), then remove the front panel in the direction of arrow.

< Y,M,X type >

1) Removing the audio main unit (X09: A/6)

1. Remove the three screws (1), then remove the front panel while disconnecting the connector in the direction of arrow (2).
2. Remove the six screws (3), then remove the audio main unit in the direction of arrow (A).

Note: When installing the audio main unit, insert the clows as shown in the figure (4).



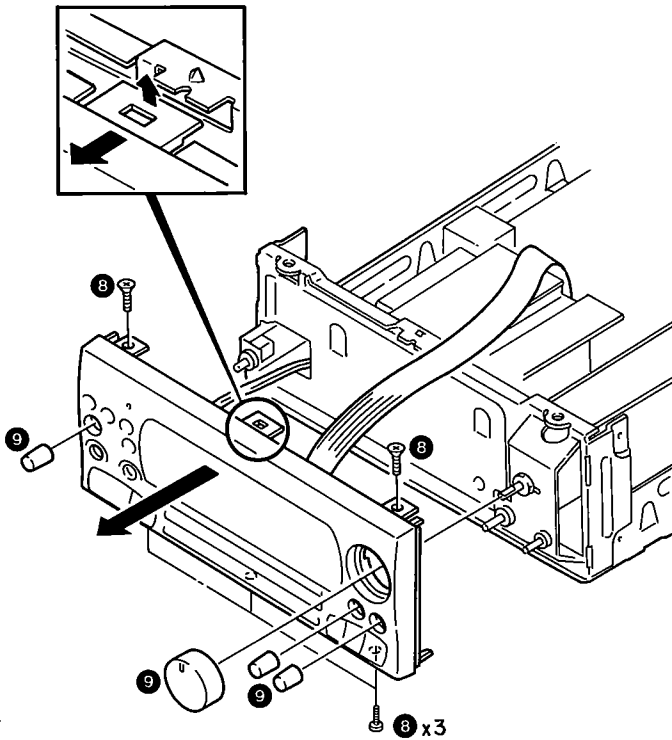
2) How to check the audio main unit (X09: A/6)

1. Stand the set with the right side upward, then move the audio main unit in the direction of arrow (5).
2. Insert the connector of volume unit (X09: B/6) to the connector of audio main unit.
Note: When the pins of connector is bent, correct them as shown in the figure (6).
3. Lay a cloth between the audio main unit and transformer, and connect the board ground as shown in the figure (7).

DISASSEMBLY FOR REPAIR

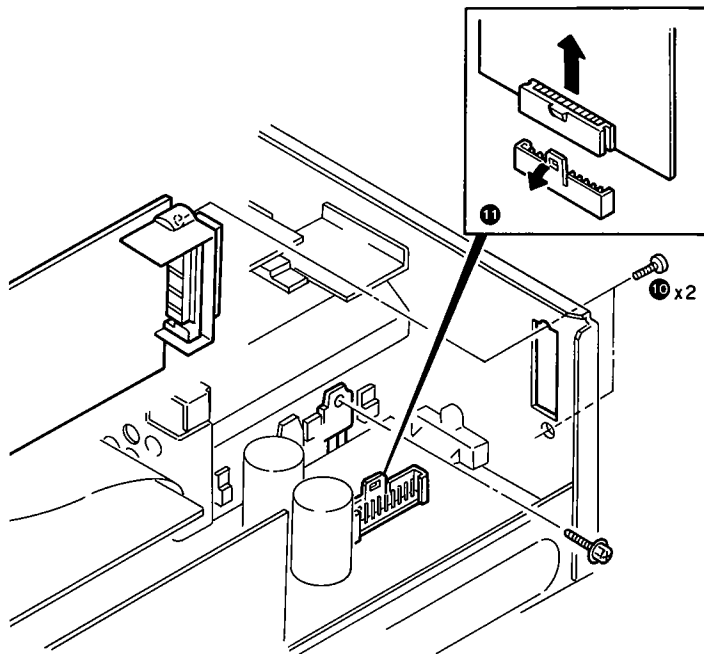
3) Removing the front panel

1. Remove the five screws (8).
2. Remove the four knobs (9), then remove the front panel in the direction of arrow.



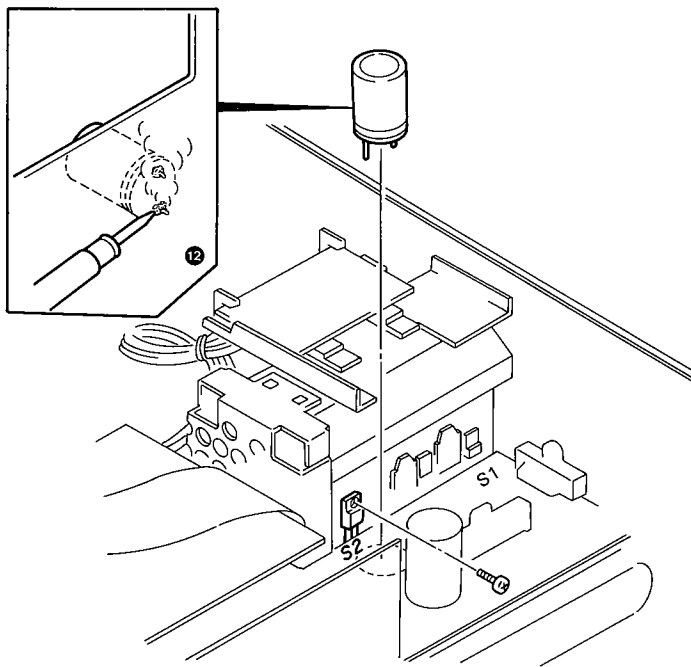
4) Removing the power transistor

1. Removing the two screws (10), then remove the tuner unit (X14: C/3).
2. Remove the X09: E/6 unit as shown in the figure (11).
3. Remove the screws, then remove the power transistor.



A-A5/A5L

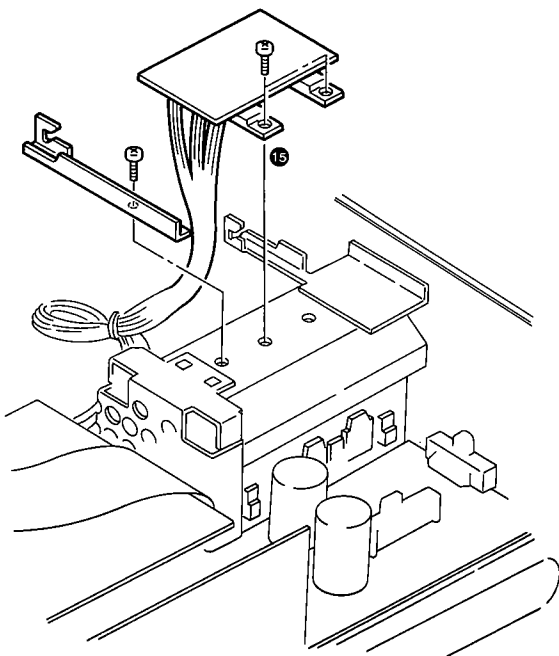
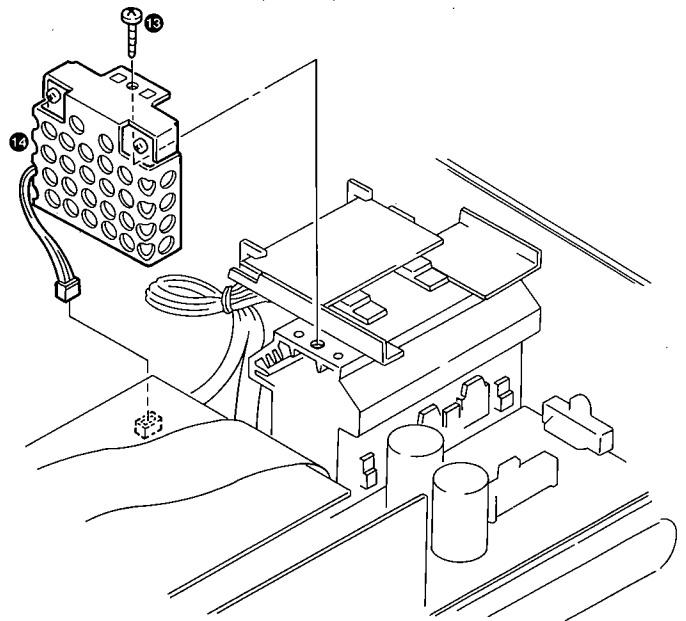
DISASSEMBLY FOR REPAIR



- 5) Removing the temperature compensating switch (S2)**
1. Remove the tuner unit (X14: C/3) and X09: E/6 unit, then remove the capacitor (C90) (12).
 2. Remove the one screw, then remove the temperature compensating switch.

6) Removing the fan

1. Remove the one screw (13).
2. Remove the fan (14).

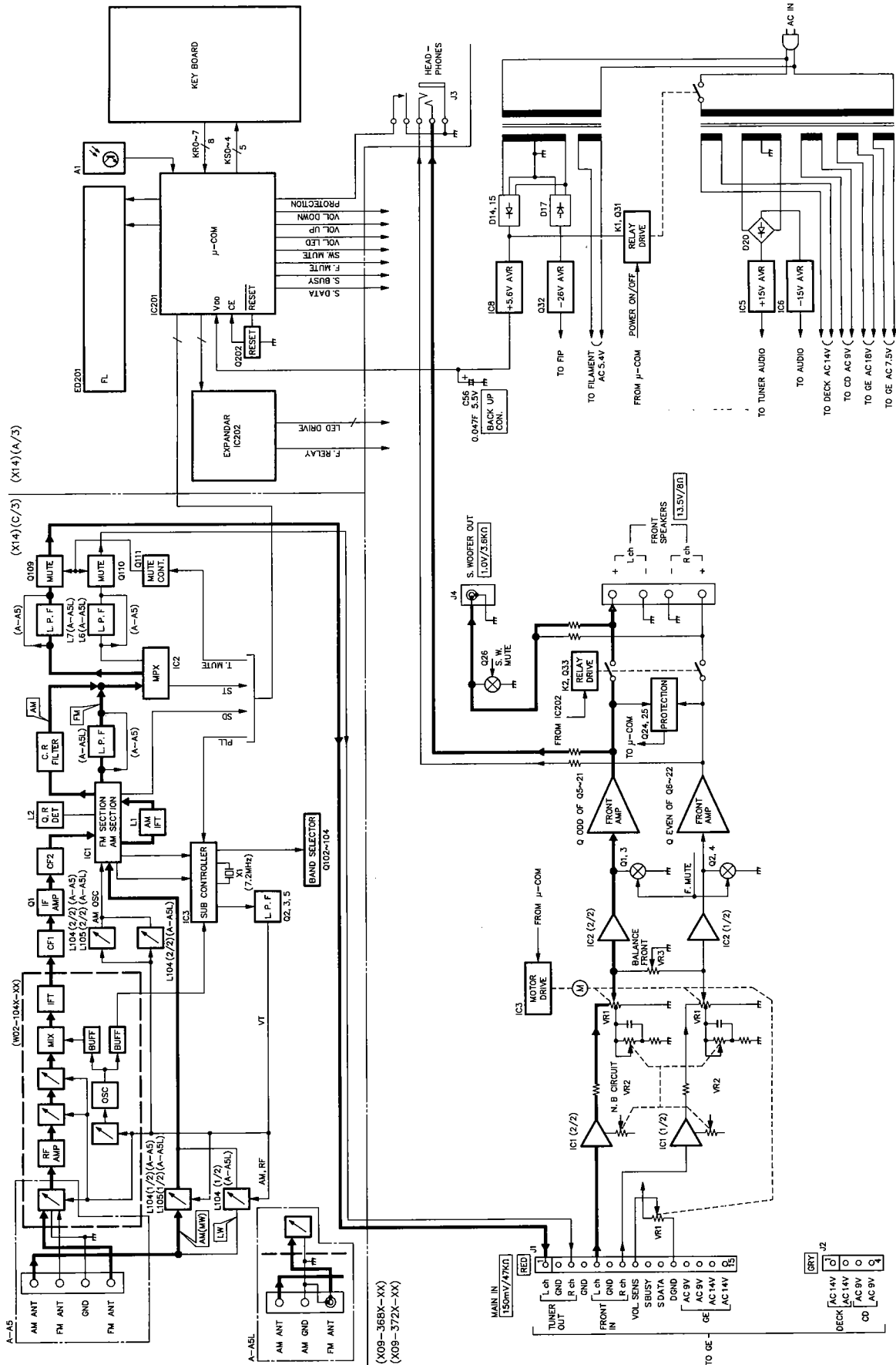


7) Removing the X09: C/6 unit

1. Remove the three screws, then remove the X09: C/6 unit. (15).

BLOCK DIAGRAM

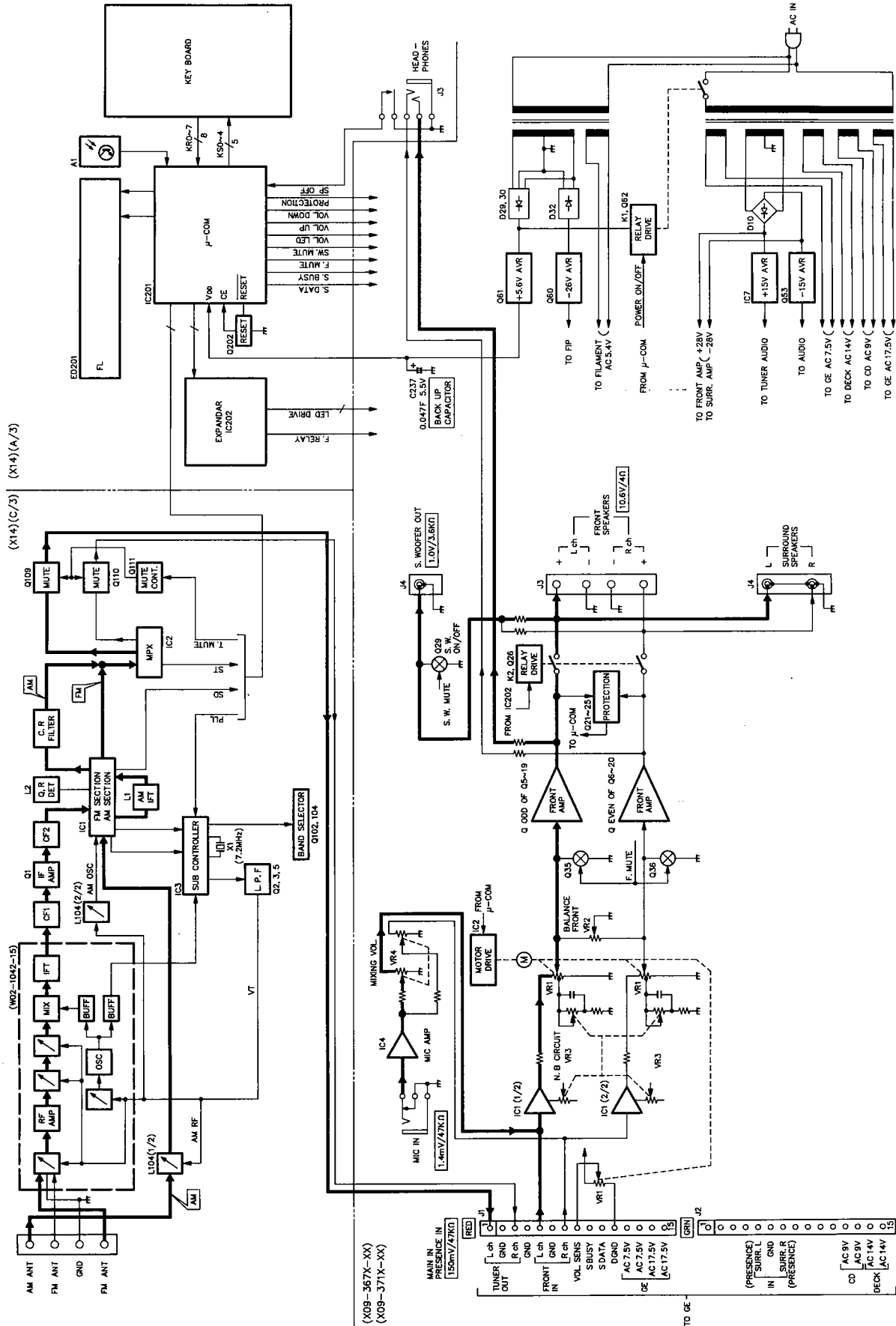
<K,P,T,E type>



A-A5/A5L

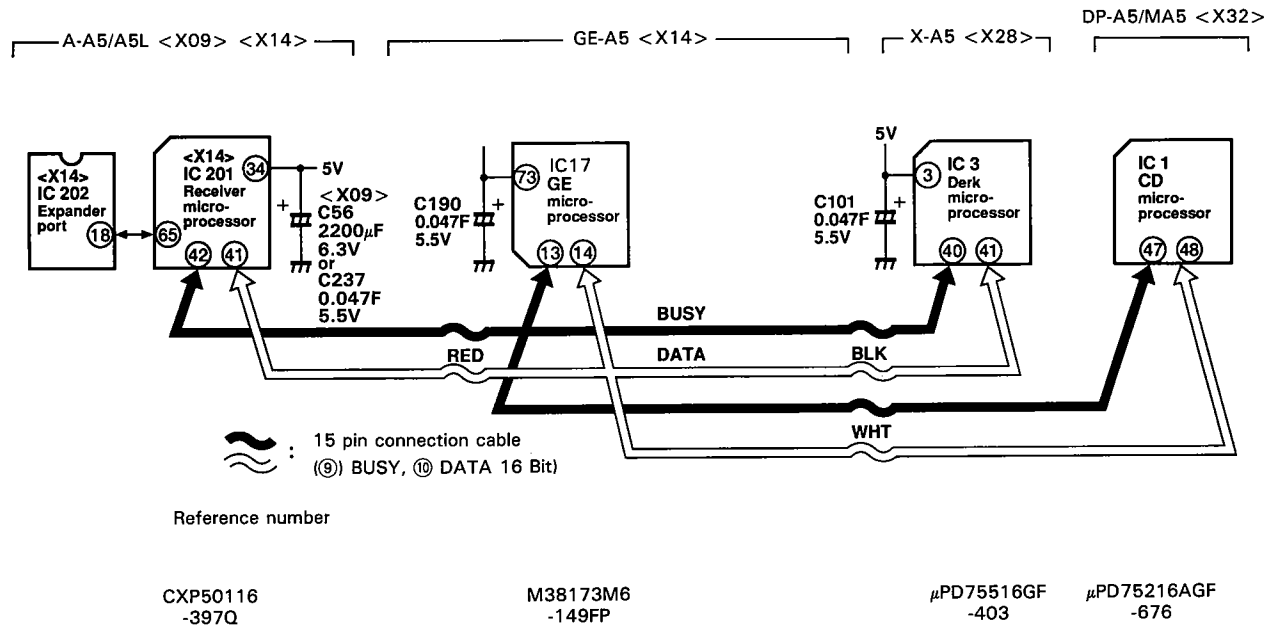
BLOCK DIAGRAM

< Y,M,X type >



CIRCUIT DESCRIPTION

1. Microprocessor and back-up condenser of this unit (16-bit serial transmission is supported like the UD-100/90/70, unlike the UD-7/9 series (8 bits).)



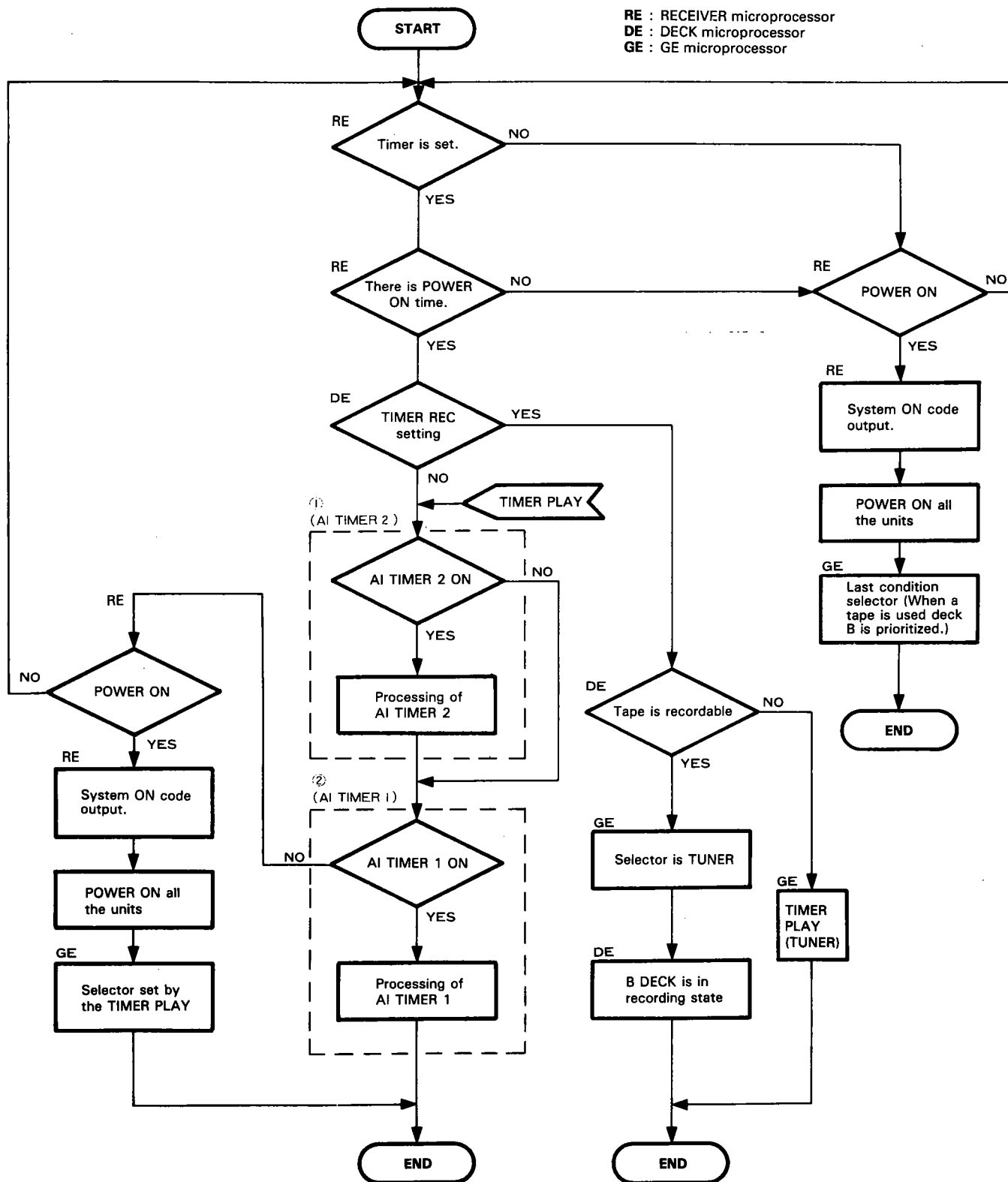
2. Microprocessor initialization (reset) and test mode

		A-A5/A5L	GE-A5	X-A5	DP-A5/MA5
		RECEIVER microprocessor (X14) IC201 CXP50116-397Q	GE microprocessor (X14) IC17 M38173M6-149FP	DECK microprocessor (X28) IC3 μPD75516GF-403	CD microprocessor (X32) IC1 μPD75216AGF-676
Backup capacitor		(X09) C56 2200 μ F 6.3 V (K,P,T,E type) C237 0.047 F 5.5 V (Y,M,X type)	(X14) C190 0.047 F 5.5 V	(X28) C101 0.047 F 5.5 V	None
Initialization (reset)		Hold down the ENTER key, and insert the AC plug into the outlet.	Hold down the MEMORY key, and turn AC on.	Turn AC off in the CRLS test mode (see below).	Turn AC off again.
Test mode	Operation	Hold down the CHARACTER key, and insert the AC plug into the outlet.	Hold down the FLAT key, and insert the AC plug into the outlet.	Short test pin ⑧ \rightarrow ⑦, and insert the AC plug into the outlet.	Short-circuiting the test pins CN2 (1 pin and 2 pin)
	Release	Remove the AC plug from the outlet.	Release—AC off.	Press the PAUSE key.	Release—AC off
	Contents	① All fluorescent displays light. For details, see the service manual for each model.		No fluorescent display.	

CIRCUIT DESCRIPTION

3. Operation of UD-500/500M

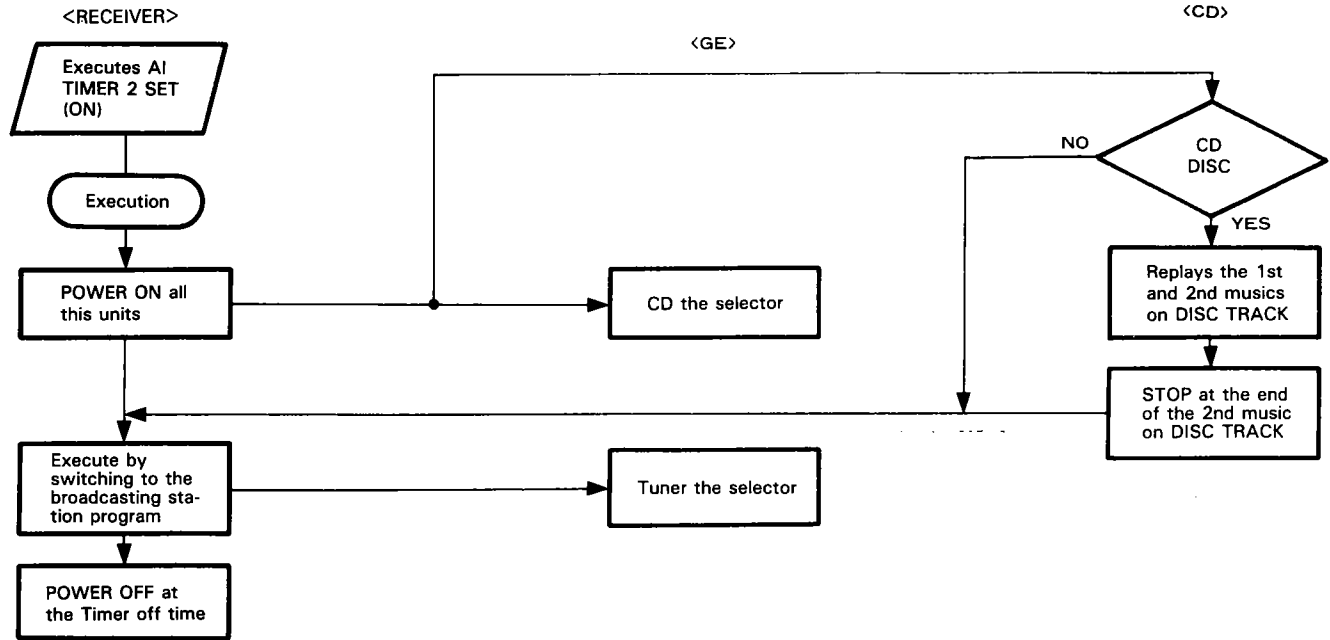
The flow chart from power on through sound generation



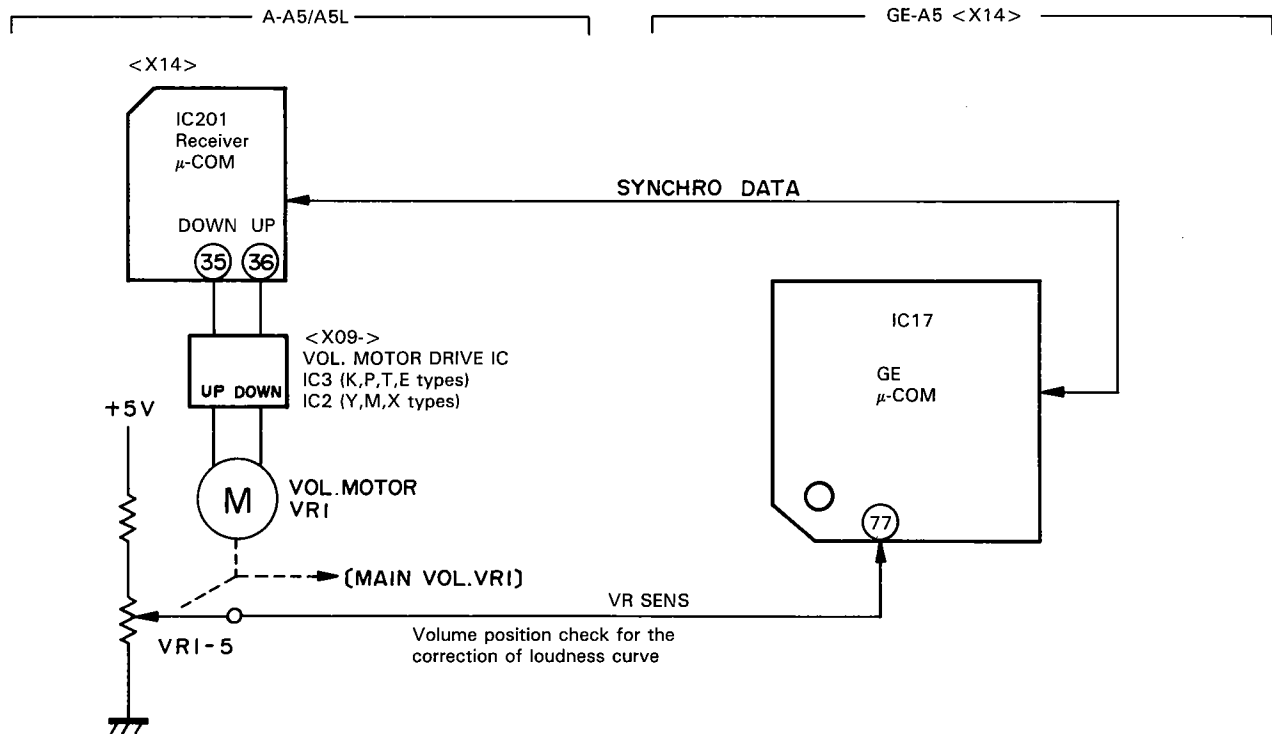
CIRCUIT DESCRIPTION

4. AI TIMER

4-1. Flow chart of AI TIMER 2

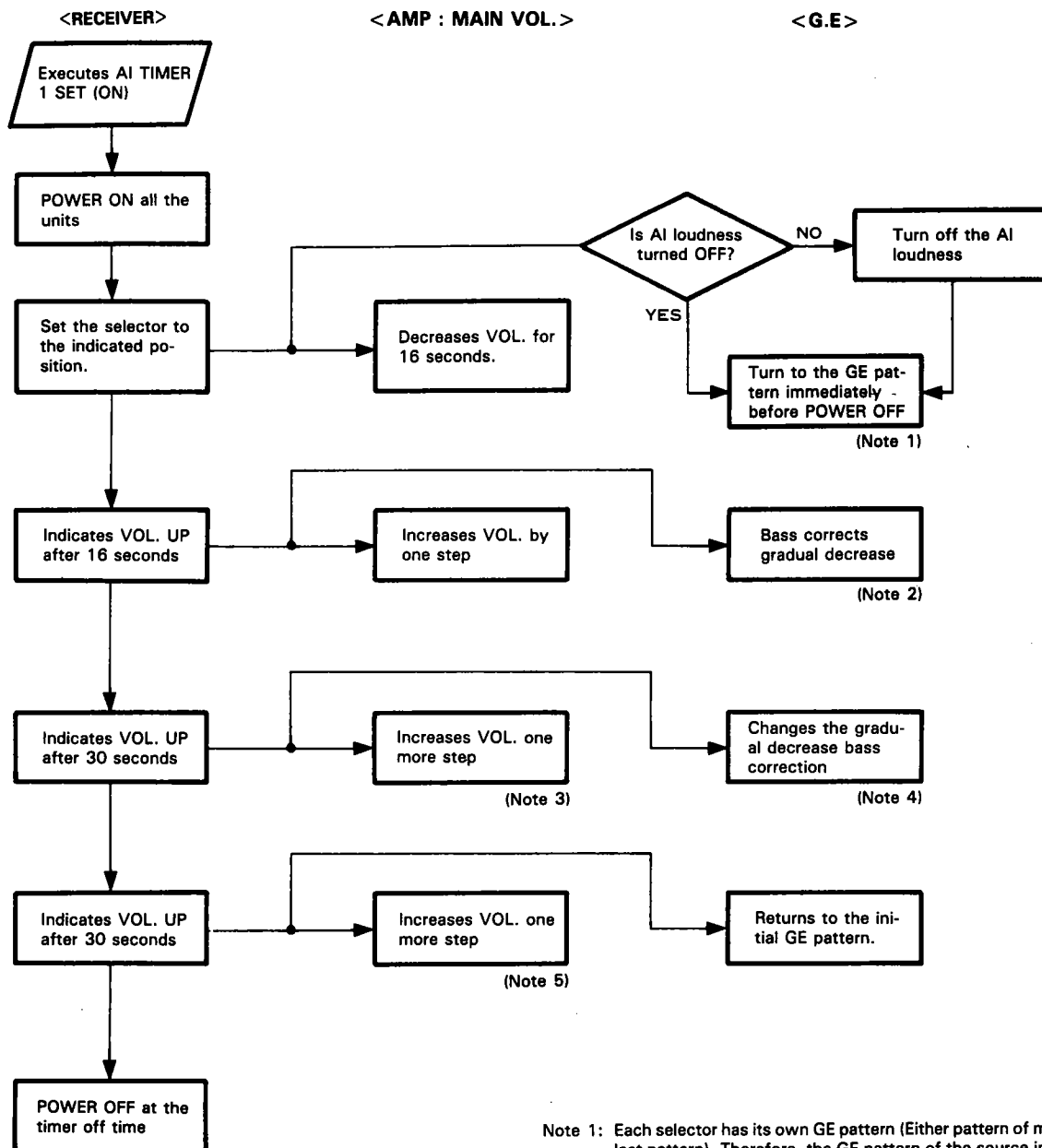


4-2. Operation of AI TIMER 1



CIRCUIT DESCRIPTION

4-3. Flow chart of AI TIMER 1



Note 1: Each selector has its own GE pattern (Either pattern of memory and last pattern). Therefore, the GE pattern of the source indicated by the timer appears.

Note 2: Shifts to the pattern which has the loudness effect (There are two patterns of the gradual decrease bass correction of AI TIMER 1).

Note 3: The three steps of increase volume can be selected.

Note 4: Decrease correction volume is lowered in accordance with VR UP.

Note 5: Same as Note 3. However, the VR position is limited at the position of 12.

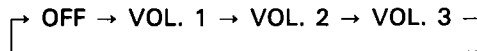
CIRCUIT DESCRIPTION

4-4. Function description

a) AI TIMER 1

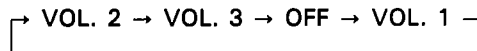
- With the program timer mode set to PLAY, when the timer is turned ON, the setting contents for the AI TIMER 1 is activated if the AI TIMER 1 is set to ON (the FL indicator is lit).
- When the AI TIMER 1 is turned ON, first playback starts with the minimum volume level, then the volume level is increased in three steps.
- The third-step volume level (the maximum volume level) can be selected among the three types of the volume levels (VOL. 1-3). Each time the AI TIMER 1 key is pressed, the maximum volume level is changed in order from VOL. 1 to VOL. 3 and TIMER OFF setting cyclically.

① When the key is pressed with the AI TIMER 1 is OFF (FL indicator is not lit):

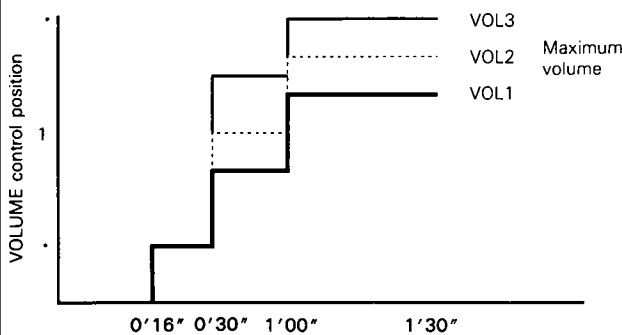


② When the key is pressed in the volume setting mode (FL indicator is lit):

Example: When VOL. 2 is selected



Reference for volume selection



- The VOLUME control rotates as the volume changes.
- The graphic equalizer curve also varies accordingly.

b) AI TIMER 2

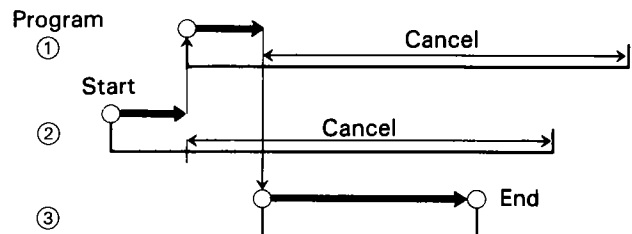
- With the program timer mode set to PLAY, when the timer is turned ON, the setting contents for the AI TIMER 2 is activated if the AI TIMER 2 is set to ON (FL indicator is lit).
- When the AI TIMER 2 is turned ON, if the disc is loaded in the CD player, the two tracks on the disc is played regardless whether the other source is set for play. Then, the playback source is changed to tuner automatically.
- Each time the AI TIMER 2 key is pressed, the timer setting is changed alternately.

5. Timer program operation

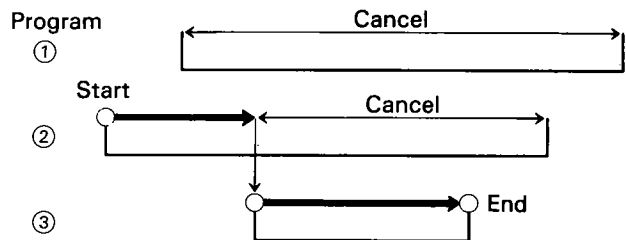
< When the program settings are registered within the same period >

- When the two or more program settings are to be started at the same time:
The program having the least number is activated and others will be cancelled.
- When the setting time for two or more programs differ:
First, the program with the earliest setting time is activated. Then, if the same mode (REC mode or PLAY mode) has been designated for the other program, the operation is changed to the program in which the same mode as the first one is designated and the end time for the above program will be cancelled. If another mode is set for of other programs, the contents will be cancelled.

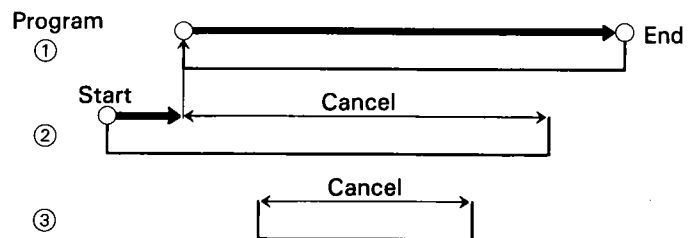
Example 1: When the operation modes for all three programs are set to PLAY:



Example 2: When the operation modes for programs ②, ③ are set to PLAY and that for the program ① is set to REC:



Example 3: When the operation mode for programs ①, ② are set to REC and that for program ③ is set to PLAY:

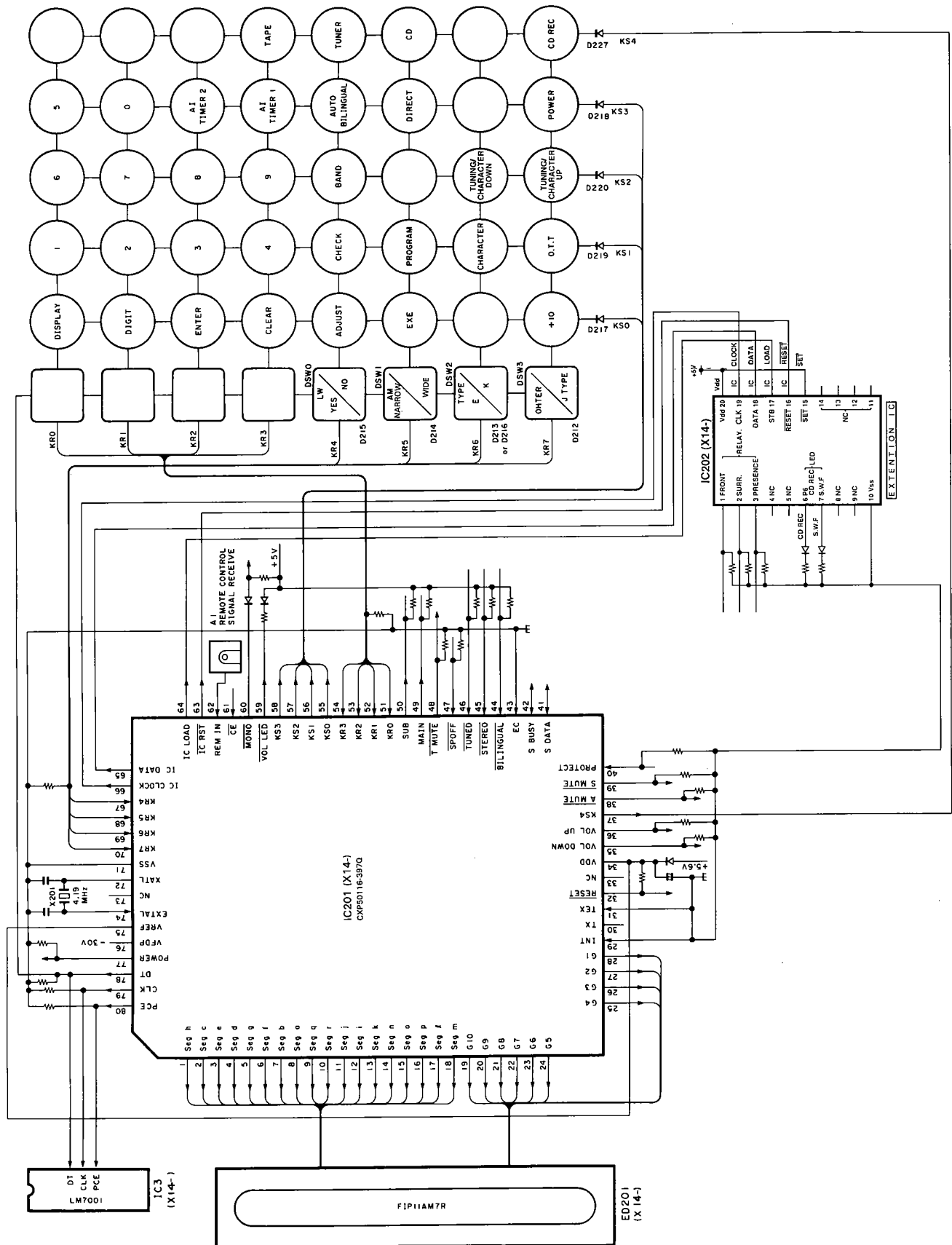


The program end is determined by the OFF time of the program which is activated at the last.

A-A5/A5L

CIRCUIT DESCRIPTION

6. Block diagram of surrounding microprocessor



CIRCUIT DESCRIPTION

10. Test frequency

CH	TYPE	A-A5			A-A5L	
		K, P		Y, M (AM 10 kHz, FM 100 kHz step)	Y, M, X (AM 9 kHz, FM 50 kHz step)	T, E
1	FM	98.0 MHz	FM	98.0 MHz	FM	98.0 MHz
2	FM	108.0 MHz	FM	108.0 MHz	FM	108.0 MHz
3	AM	630 KHz	AM	630 KHz	AM	630 KHz
4	AM	990 KHz	AM	990 KHz	AM	990 KHz
5	AM	1440 KHz	AM	1440 KHz	AM	1440 KHz
6	AM	1610 KHz	AM	1610 KHz	AM	1602 KHz
7	AM	1700 KHz	FM	87.5 MHz	FM	87.5 MHz
8	FM	87.5 MHz	FM	87.5 MHz	FM	87.5 MHz
9	FM	87.5 MHz	FM	87.5 MHz	FM	87.5 MHz
10	FM	89.1 MHz	FM	89.1 MHz	FM	89.1 MHz
11	FM	87.5 MHz	FM	87.5 MHz	FM	87.5 MHz
12	FM	90.0 MHz	FM	90.0 MHz	FM	90.0 MHz
13	FM	106.0 MHz	FM	106.0 MHz	FM	106.0 MHz
14	AM	530 KHz	AM	530 KHz	AM	531 KHz
15	FM	87.5 MHz	FM	87.5 MHz	FM	87.5 MHz
16~20	FM	87.5 MHz	FM	87.5 MHz	FM	87.5 MHz

11. Expansion port IC: CX-7991 (X14: IC202)

Pin functions

Pin No.	Pin name	I/O	Name	Description
1	P1	O	FRONT RLY	Front speaker relay OFF/ON
2	P2	O	SURR. RLY	S4ch speaker relay OFF/OF
3	P3	O	PRESE RLY	F4ch speaker relay OFF/ON
4	P4	O		No used (Open)
5	P5	O	VFIX	No used OFF/ON
6	P6	O	CDREC	CD REC LED OFF/ON
7	P7	O	SWF	SUPER WOOFER LED OFF/ON
8	P8	O	ALC	No used OFF/ON
9	P9	O		No used (Open)
10	VSS			GND
11	P10	O		No used (Open)
12	P11	O		No used (Open)
13	P12	O		No used (Open)
14	SO	O		No used (Open)
15	SET	I		+5 V power supply
16	RESET	I		Reset signal input
17	STB	I	ICLOAD	Strube input
18	DATA	I	ICDATA	Data input
19	CLK	I	ICCLOCK	Clock input
20	VDD			+5 V power supply

CIRCUIT DESCRIPTION

Microprocessor: CPX50116-397Q (X14: IC201)

Pin functions

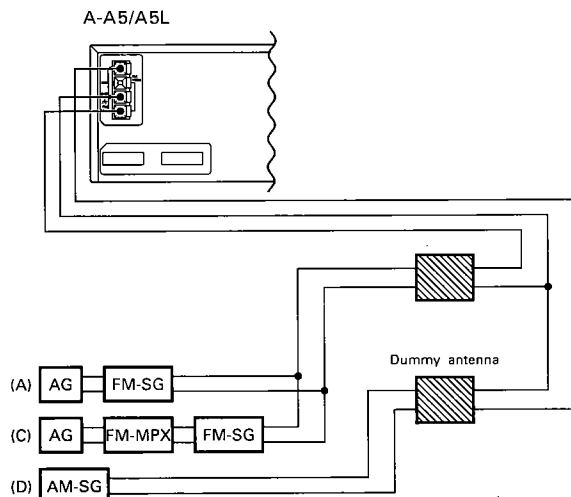
Pin No.	Pin name	I/O	Name	Description
1 ~ 18	S4 ~ S21/PG0 ~ PG3 PK0 ~ PK3, PJ0 ~ PJ3 T15 ~ T10	O	Segment	Segment (h, c, e, d, g, f, b, a, q, r, j, i, k, n, o, p, l, m)
19 ~ 28	S22, S23/T9, T8, T7 ~ T0	O	G10 ~ G1	Grid 10 ~ 1
29 ~ 31	INT, TX, TEX		INT, TX, TEX	No used.
32	RST	I	$\overline{\text{RESET}}$	Reset pin Low: RESET High: NORMAL
33	NC		NC	No used.
34	Vdd		Vdd	+5 V power supply
35	PI0	O	VOLD	Motor volume down Low: STOP High: ACTIVE
36	PI1	O	VOLU	Motor volume up Low: STOP High: ACTIVE
37	PI2	O	KS4	Key scan signal output (KS4)
38	PI3	O	$\overline{\text{AMUTE}}$	Amplifier mute Low: ON High: OFF
39	PB0	O	$\overline{\text{SMUTE}}$	Super woofer mute Low: ON High: OFF
40	PB1	I	PROTECT	Protection detection Low: OFF High: ON
41	PB2	I/O	SDATA	Serial communication DATA
42	PB3	I/O	SBUSY	Serial communication BUSY
43	EC		EC	No used.
44	PX0	I	$\overline{\text{BILINGUAL}}$	No used
45	PX1	I	$\overline{\text{STEREO}}$	Stereo signal detection Low: STEREO High: MONAURAL
46	PX2	I	$\overline{\text{TUNED}}$	SD signal detection Low: TUNED High: OFF
47	PA0	I	$\overline{\text{SPOFF}}$	Head phone use detection Low: Use High: No use
48	PA1	O	TMUTE	Tuner mute Low: OFF High: ON
49	PA2	O	MAIN	No used
50	PA3	O	SUB	No used
51 ~ 54	PF0 ~ PF3	I	KR0 ~ KR3	Key return signal input (KR0 ~ KR3)
55 ~ 58	PE0 ~ PE3	O	KS0 ~ KS3	Key scan signal output (KS0 ~ KS3)
59	PY0	O	$\overline{\text{VOLLED}}$	Volume LED drive Low: ON High: OFF
60	PY1	O	$\overline{\text{MONO}}$	Forced monaural output Low: ON High: OFF
61	PY2	I	CE	Chip enable signal input Low: OFF High: ON
62	PY3	I	REMIN	Remote control signal input
63	PD0	O	$\overline{\text{ICRST}}$	Expansion port IC RESET
64	PD1	O	ICLOAD	Expansion port IC STROBE
65	PD2	O	ICDATA	Expansion port IC DATA
66	PD3	O	ICCLOCK	Expansion port IC CLOCK
67 ~ 70	PC0 ~ PC3	I	KR4 ~ KR7	Key return signal input (KR4 ~ KR7)
71	Vss		Vss	GND
72	XTAL		XTAL	Crystal oscillator input (4.19 MHz)
73	NC		NC	No used.
74	EXTAL		EXTAL	Crystal oscillator input (4.19 MHz)
75	Vref		Vref	No used.
76	Vfdp		Vfdp	-30 V power supply.
77	S0/PH0	O	POWER	Power ON/OFF signal output Low: OFF High: ON
78	S1/PH1	O	DT	PLL IC (LM7001) DATA
79	S2/PH2	O	CLK	PLL IC (LM7001) CLOCK
80	S3/PH3	O	PCE	PLL IC (LM7001) STROBE

A-A5/A5L

ADJUSTMENT

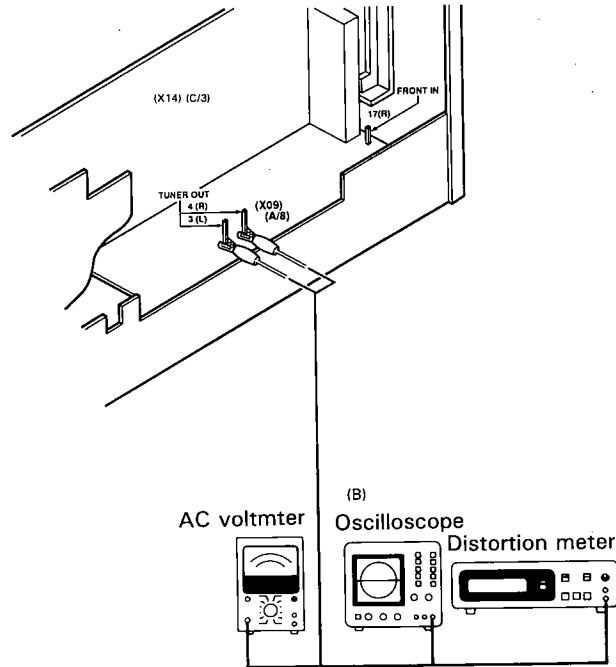
1. TUNER UNIT

No.	ITEM	INPUT SETTINGS	OUTPUT SETTINGS	TUNER SETTINGS	ALIGNMENT POINTS	ALIGN FOR	FIG.
FM SECTION		SELECTOR: FM					
1	DISCRIMINATOR	(A) 98.0MHz 1kHz, ±75kHz dev (K, P, M, Y, X type) 1kHz, ±40kHz dev (E, T type) 60dBμ (ANT input)	Connect a DC voltmeter between TP3 and TP4. (X14-)	AUTO or MONO 98.0MHz	L2 (X14-)	0V	(a)
2	DISTORTION (STEREO)	(C) 98.0MHz 1kHz, ±68.25kHz dev Pilot: ±7.5kHz dev (K, P, M, Y, X type) 1kHz, ±40kHz dev Pilot: ±6kHz dev (E, T type) 60dBμ (ANT input)	(B)	MONO 98.0MHz	IFT (W02-)	Minimum distortion	
3	SEPARATION	(C) 98.0MHz 1kHz, ±40kHz dev Pilot ±6kHz dev Selector: L or R 60dBμ (ANT input)	(B)	AUTO 98.0MHz	VR5 (X14-)	Minimum crosstalk	
4	TUNING LEVEL	(A) 98.0MHz 1kHz, ±75kHz dev (K, P, M, Y, X type) 1kHz, ±45kHz dev (E, T type) 14dBμ (ANT input) 750 18dBμ (ANT input) 3000	(B)	AUTO or MONO 98.0MHz	VR1 (X14-)	Adjust VR1 and stop at the point where ED201(TUNED) goes on.	
AM (MW) SELECTION		SELECTOR: AM(MW)					
(1)	TUNING LEVEL	(D) 1008kHz 400Hz, 30% mod 26dBμ (ANT input)	(B)	1008kHz	VR3 (X14-)	Adjust VR3 and stop at the point where ED201 (TUNED) goes on.	

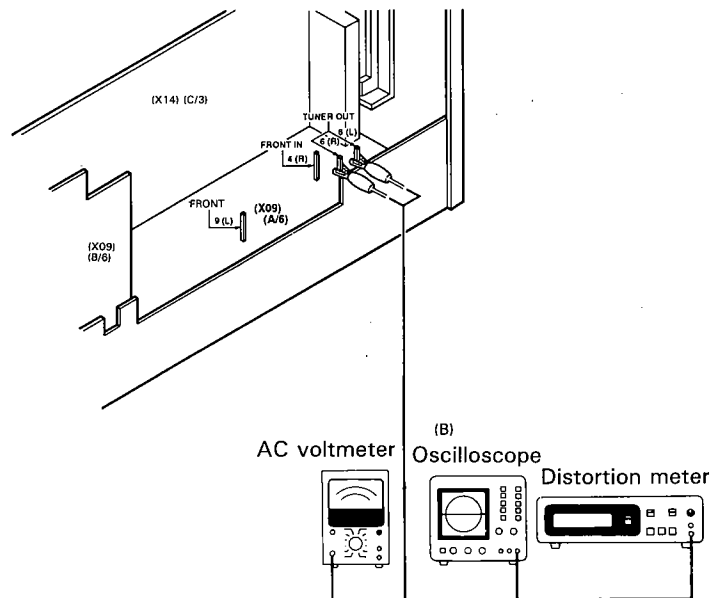


ADJUSTMENT

(K,P,T,E type)

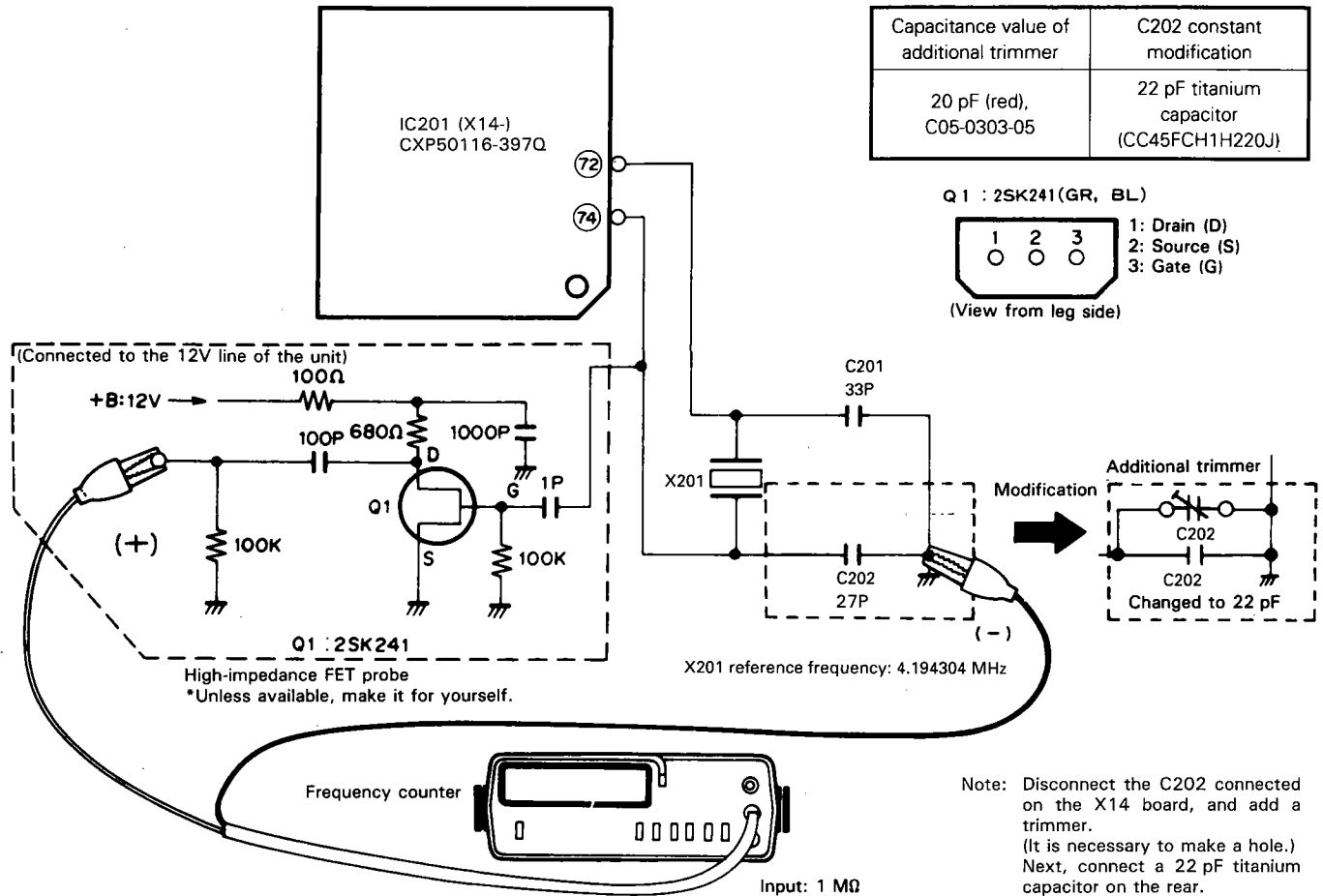


(Y,M,X type)



ADJUSTMENT

2. Timer accuracy improvement method



The timer accuracy is within ± 40 seconds for one month as a standard. For improved timer accuracy, perform the following procedure:

- (1) If the timer accuracy is without the standard, replace X201 (L77-1176-05) near the microprocessor IC on a printed board (X14-)
- (2) Even if within the standard, for further improved accuracy, change the constant of C202 in the crystal oscillation circuit of microprocessor IC201 and add a trimmer.

Adjustment method (Use a high-impedance buffer to avoid frequency deviation.)

Connect a high-accuracy frequency counter to pin 74 by way of the FET probe shown above, and adjust the frequency fully up to the first digit of the X201 reference frequency 4,194,304 Hz. (Connect the negative (-) side of the frequency counter to the GND side of C202.)

Note (a) As regards the positive (+) side of the frequency counter, arrange as short a distance as possible between pin 74 of IC201 and 1P of the input stage of the FET probe.

Note (b) Perform the trimmer adjustment after energization of around 10 minutes at normal temperature.

(3) Monthly error calculation method

For example, when the result of measurement at pin 74 by the frequency counter is $f_x = 4,194,275$ Hz...
 (Reference frequency $f_0 = 4,194,304$ [Hz])

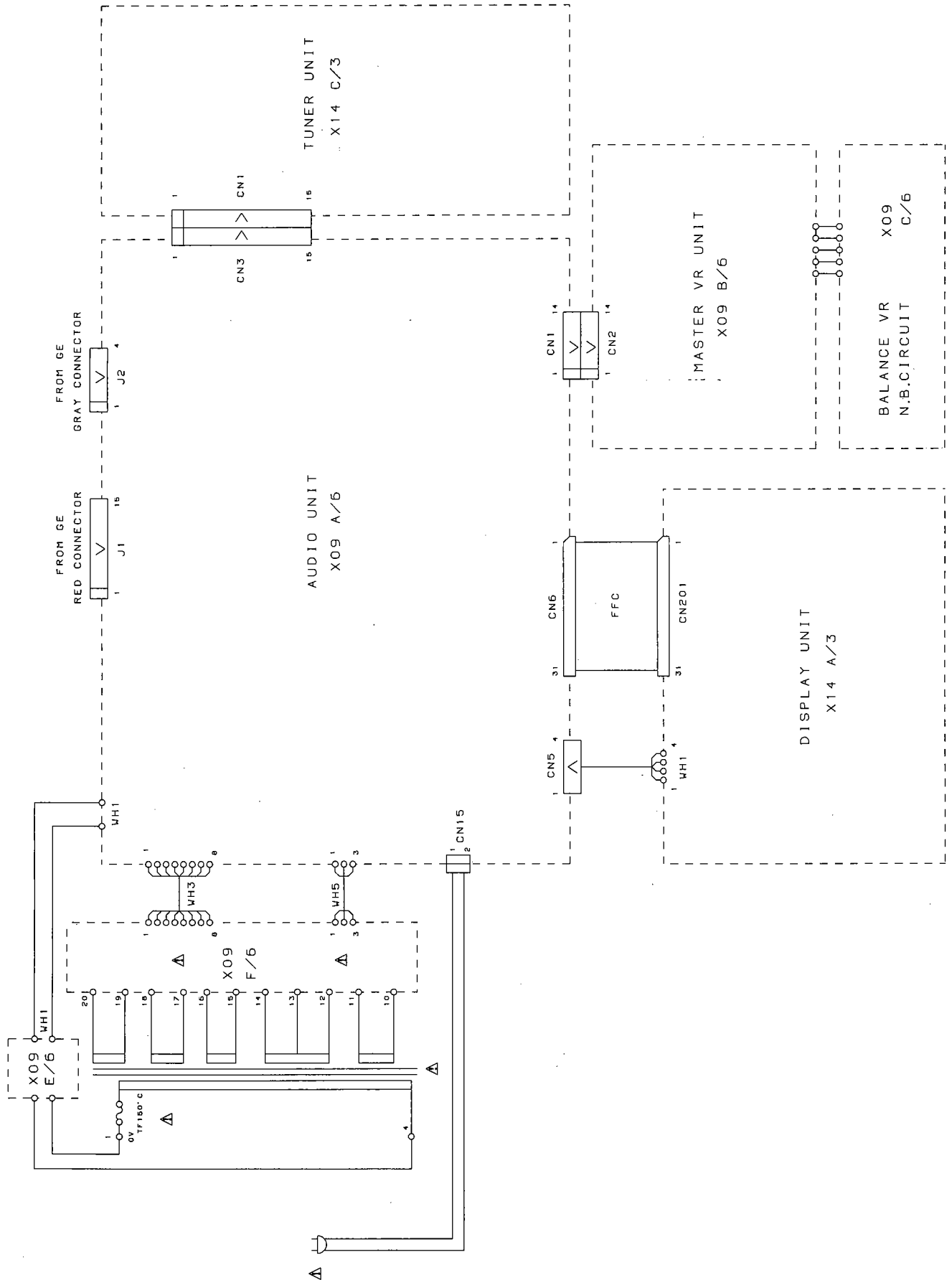
$$\text{Monthly error [sec]} = \frac{f_x - f_0}{f_0} \times \text{the number of seconds}$$

$$\begin{aligned} \text{taken for one month} &= \frac{4,194,275 - 4,194,304}{4,194,304} \\ &\quad \times (60 \times 60 \times 24 \times 30) \\ &= -17.9 \text{ [sec]} \end{aligned}$$

* A minus value as the monthly error means a loss.

WIRING DIAGRAM

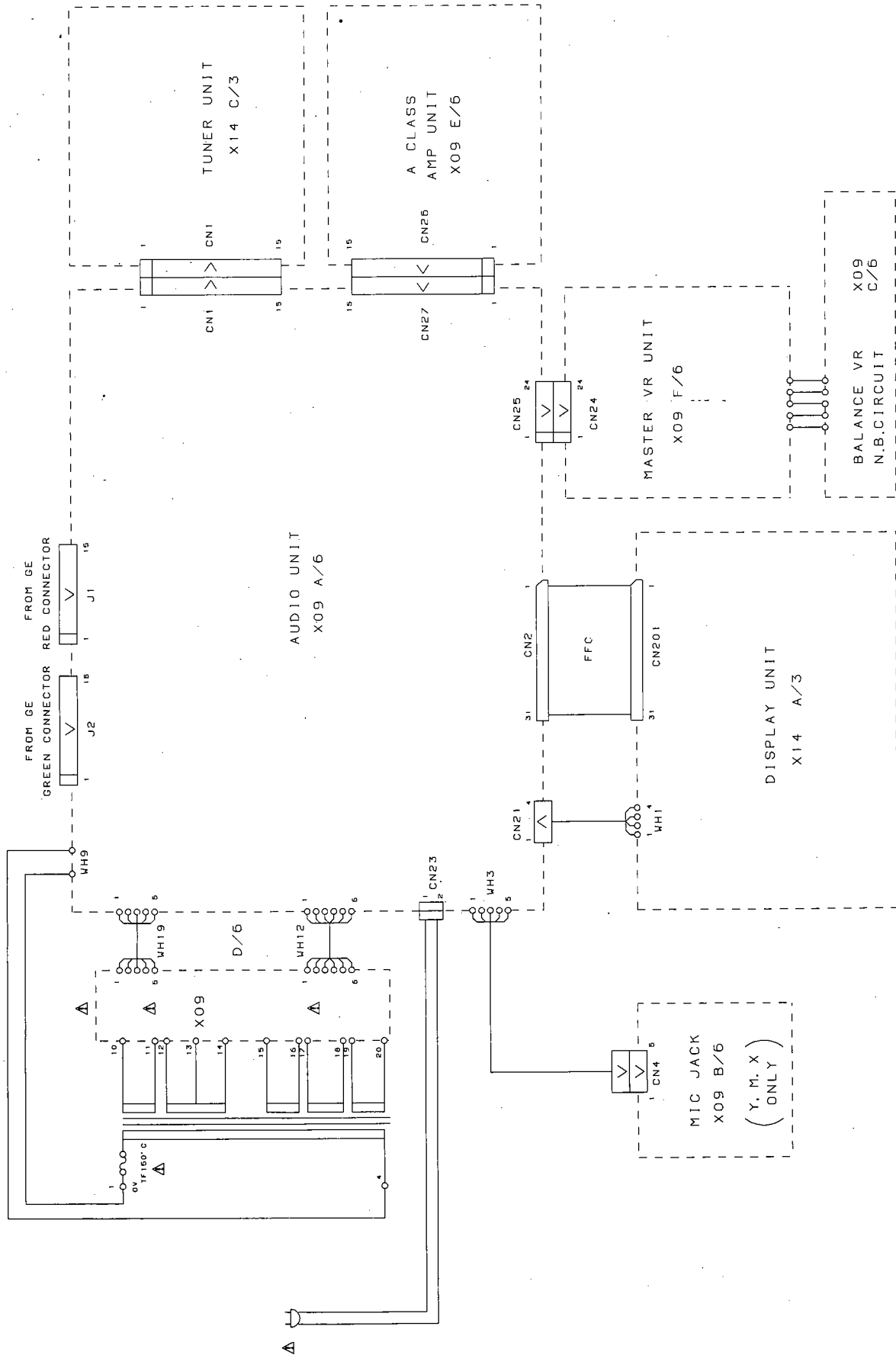
<K,P,T,E type>



A-A5/A5L

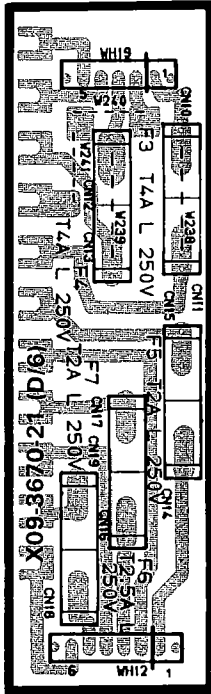
WIRING DIAGRAM

<Y,M,X type>

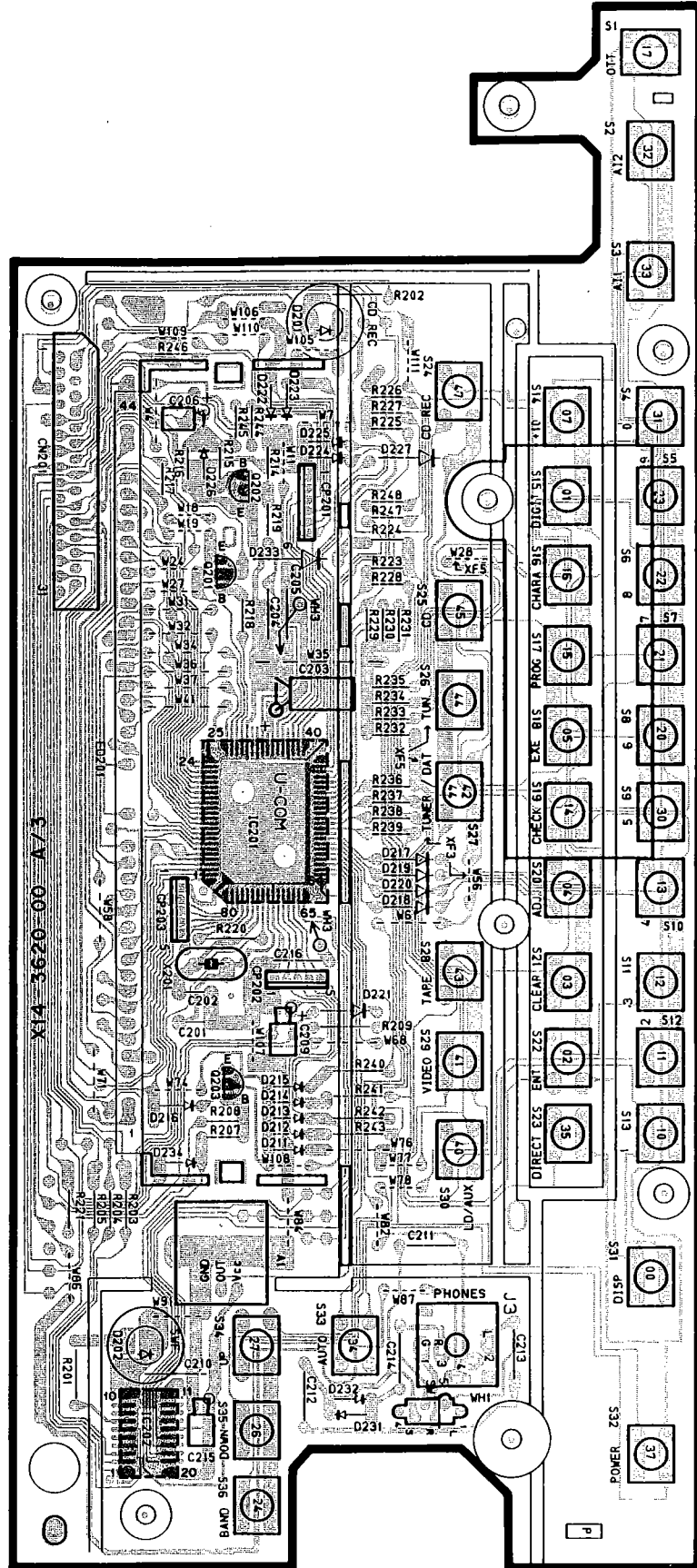
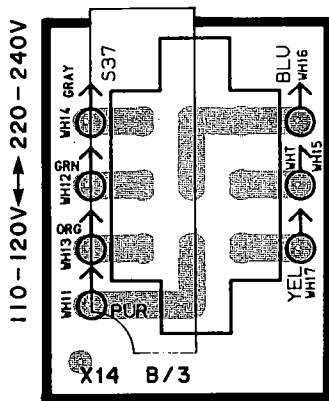


PC BOARD (Component side view)

(Y,M,X type only)

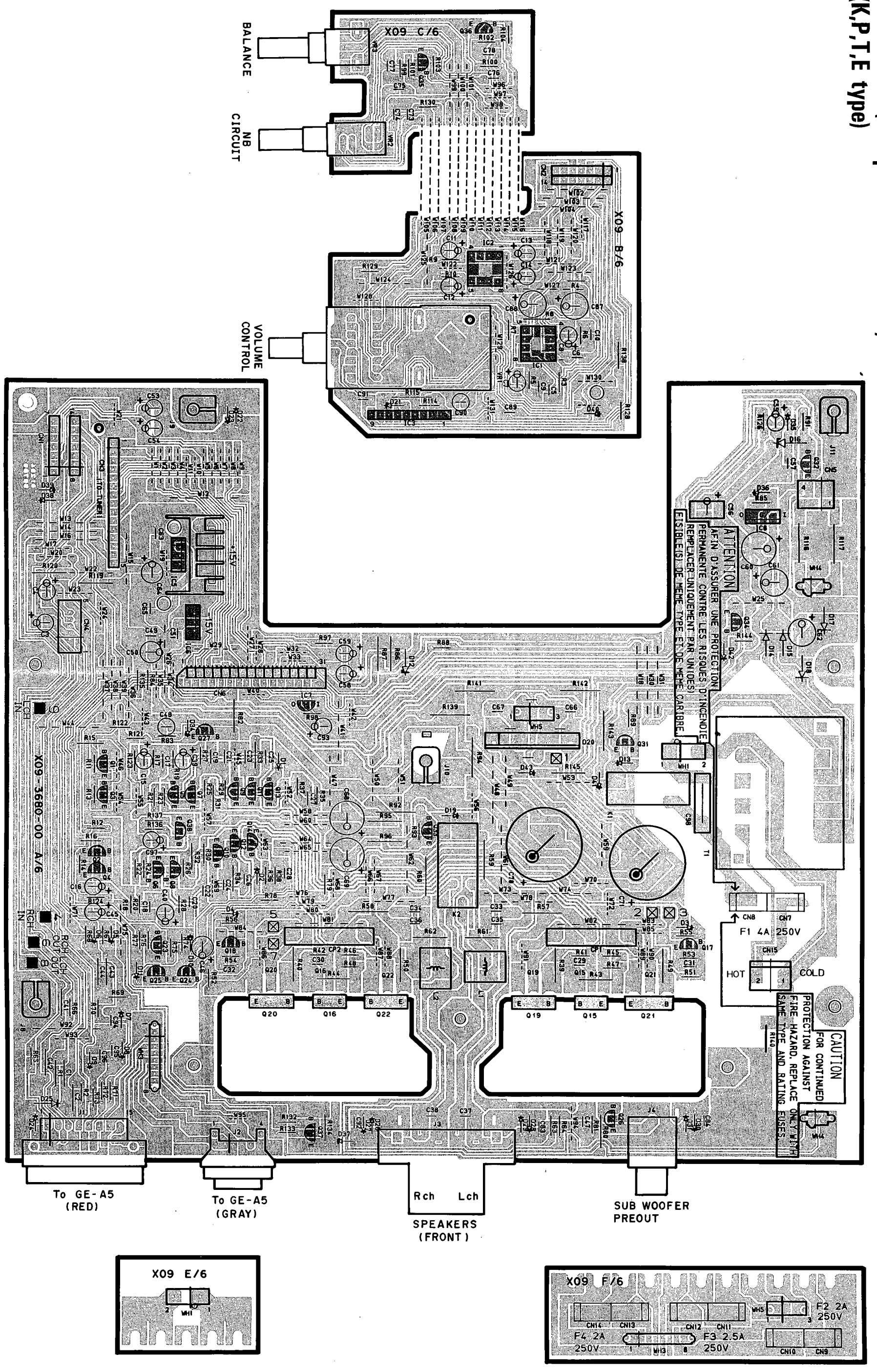


(Y,M type only)



Refer to the schematic diagram for the values of registers and capacitors.

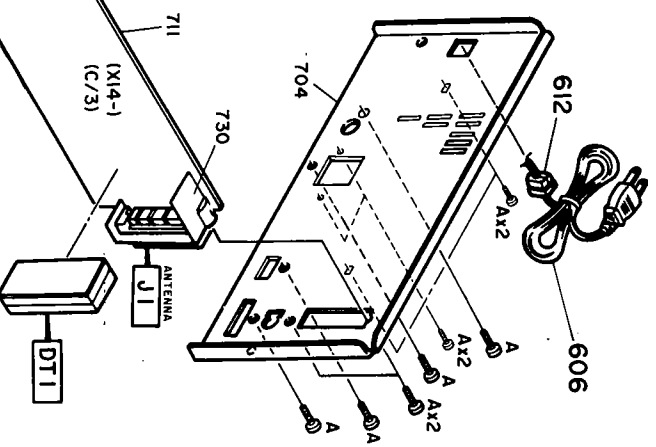
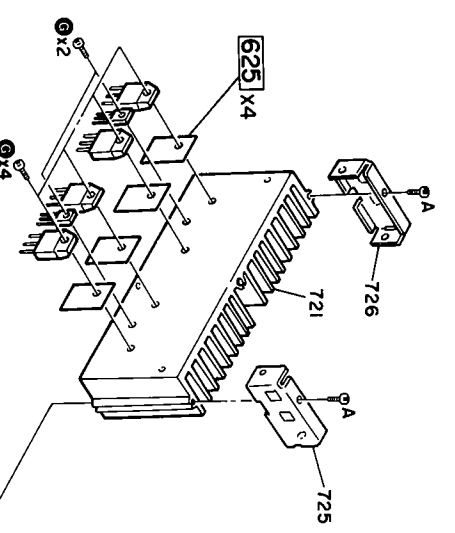
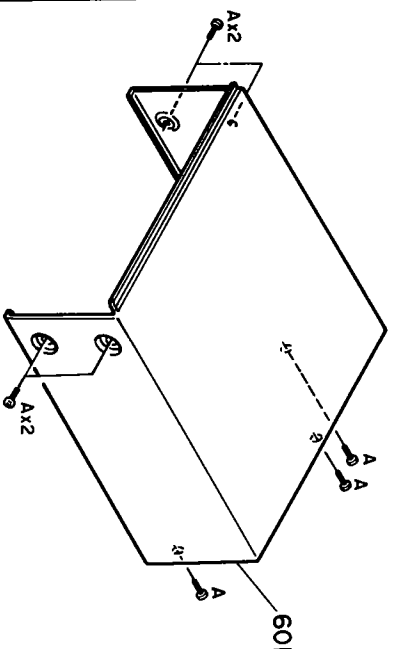
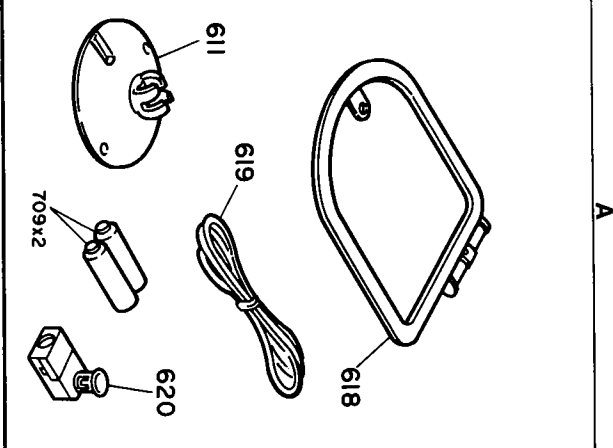
PC BOARD (Component side view)
(K,P,T,E type)



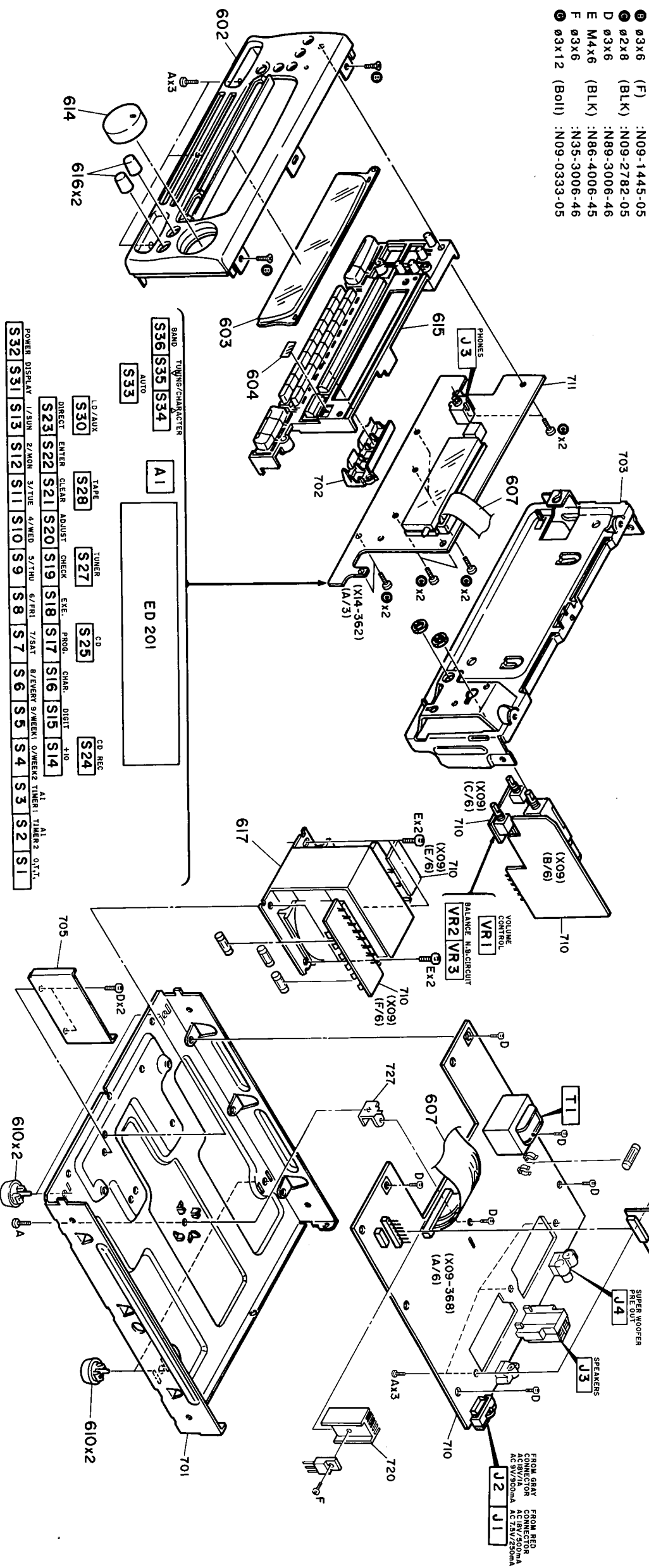
Refer to the schematic diagram for the values of registers and capacitors.

A-A5/A5L A-A5/A5L

EXPLODED VIEW (K,P,T,E type)



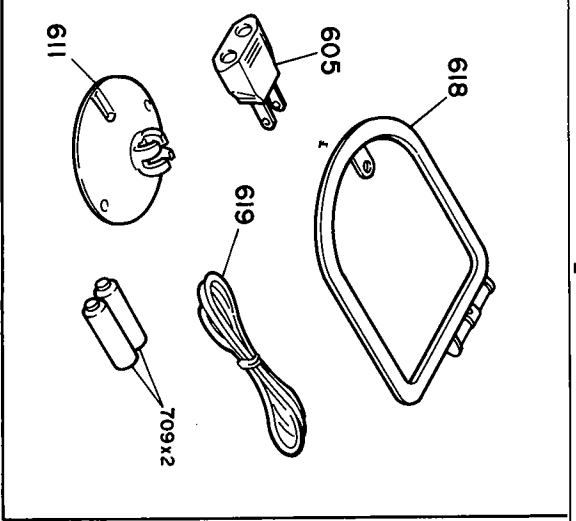
- A Ø3x8 (BLK) :N89-3008-45
- B Ø3x6 (F) :N09-1445-05
- C Ø2x8 (BLK) :N09-2782-05
- D Ø3x6 :N89-3006-46
- E M4x6 (BLK) :N86-4006-45
- F Ø3x6 :N35-3006-46
- G Ø3x12 (Boil) :N09-0333-05



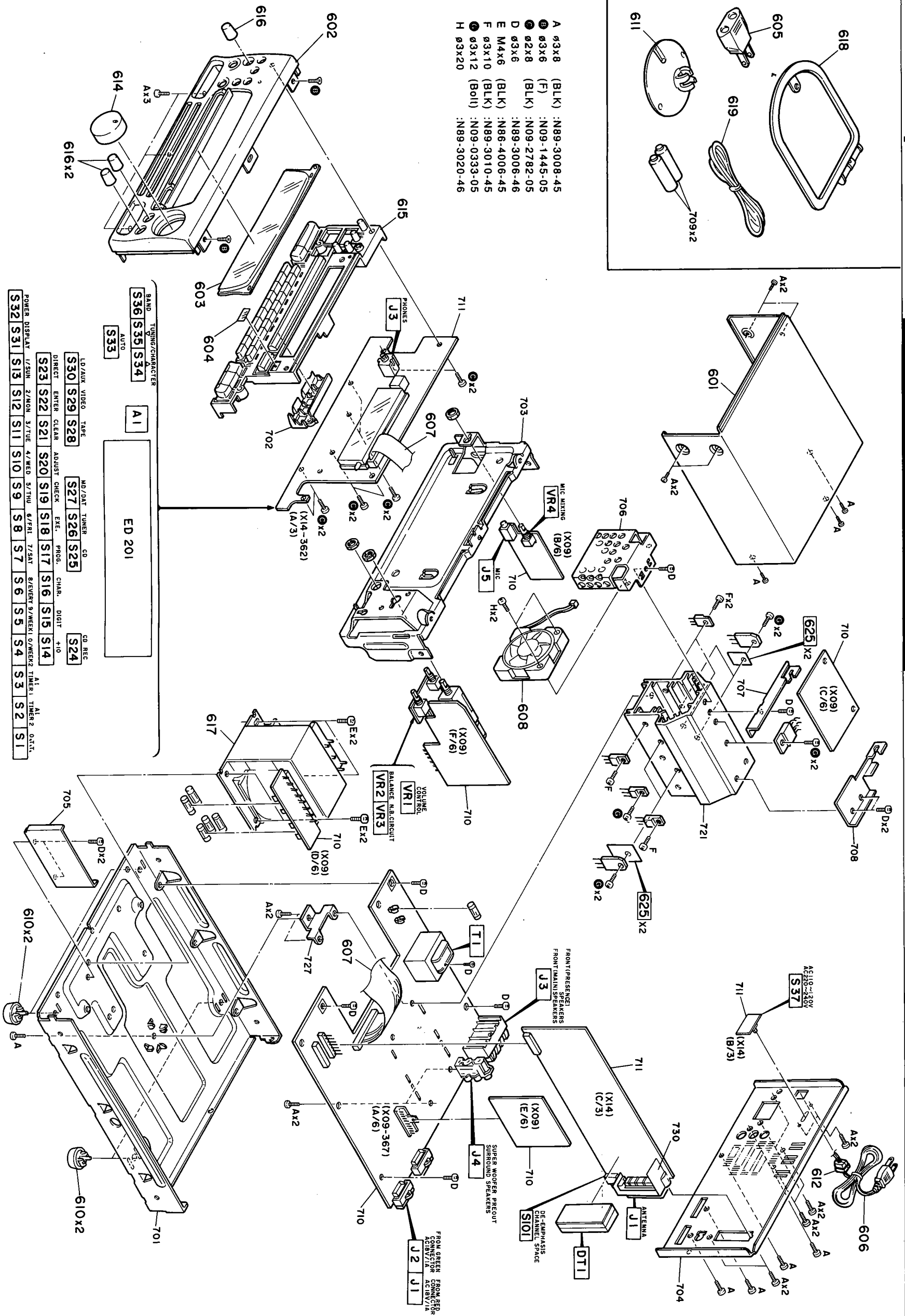
S32	S31	S13	S12	S11	S10	S9	S8	S7	S6	S5	S4	S3	S2	S1
POWER DISPLAY 1/SUN 2/MON 3/TUE 4/WED 5/THU 6/FRI 7/SAT 8/EVERY 9/WEEK 0/WEEK2 TIMER1 TIMER2 DIT														

A-A5/A5L A-A5/A5L

EXPLODED VIEW (Y,M,X type)



- A Ø3x8 (BLK) :N89-3008-45
- B Ø3x6 (F) :N09-1445-05
- C Ø2x8 (BLK) :N09-2782-05
- D Ø3x6 :N89-3006-46
- E M4x6 (BLK) :N86-4006-45
- F Ø3x10 (BLK) :N89-3010-45
- G Ø3x12 (Boil) :N09-0333-05
- H Ø3x20 :N89-3020-46



BAND TUNING/CHARACTER		A1	
S36	S35	S34	
AUTO		S33	
LD/AUX VIDEO TAPE		MD/BAT TUNER CD	
S30	S29	S28	S27
S25	S26	S25	S24
DIRECT ENTER CLEAR ADJUST CHECK		EKE. PROG. CHAN. DIGIT +10	
S23	S22	S21	S20
S19	S18	S17	S16
S15	S15	S14	
POWER DISPLAY 1/SUN		2/MON	
S32	S31	S13	S12
S11	S10	S9	S8
S7	S6	S5	S4
S3	S2	S1	

Refer to the schematic diagram for the values of registers and capacitors.

PARTS LIST

× New Parts

Parts without Parts No. are not supplied.

Les articles non mentionnes dans le Parts No. ne sont pas fournis.

Teile ohne Parts No. werden nicht geliefert.

Ref. No. 参照番号	Address 位置	New Parts 新	Parts No. 部品番号	Description 部品名 / 規格	Desti- nation 仕向	Re- marks 備考
A-A5/A5L (K,P,T,E type): JAPAN MADE						
601	1B	*	A01-2956-01	METALLIC CABINET		
602	3A	*	A60-0258-01	PANEL(A-A5)	KP	
602	3A	*	A60-0259-01	PANEL(A-A5L)	TE	
603	3A	*	B10-1928-03	FRONT GLASS		
604	3B	*	B11-0259-04	SMOKED FILTER		
-			B46-0092-13	WARRANTY CARD	K	
-			B46-0121-13	WARRANTY CARD	P	
-			B46-0122-23	WARRANTY CARD	E	
-			B46-0143-13	WARRANTY CARD	T	
-		*	B60-0930-00	INSTRUCTION MANUAL(ENGLISH)	E	
-		*	B60-0932-00	INSTRUCTION MANUAL(SPANISH)	PE	
-		*	B60-0934-00	INSTRUCTION MANUAL(FRENCH)		
-		*	B60-0935-00	INSTRUCTION MANUAL(GERMAN)	E	
-		*	B60-0936-00	INSTRUCTION MANUAL(DUTCH)	E	
-		*	B60-0937-00	INSTRUCTION MANUAL(ITALIAN)	E	
△ 606	1D		E30-2592-15	AC POWER CORD	E	
△ 606	1D		E30-2593-15	AC POWER CORD	T	
△ 606	1D		E30-2650-05	AC POWER CORD	KP	
△ 607	2B, 2C	*	E35-0495-05	WIRING HARNESS		
-			H10-5300-02	POLYSTYRENE FOAMED FIXTURE(L)		
-			H10-5301-02	POLYSTYRENE FOAMED FIXTURE(R)		
-			H10-5391-03	POLYSTYRENE FOAMED FIXTURE(F)		
-			H13-0039-04	CARTON BOARD		
-			H25-0632-24	PROTECTION BAG	KPE	
-			H25-0644-04	PROTECTION BAG (0632 PRINTED)	T	
-		*	H25-0681-04	PROTECTION BAG		
-		*	H50-0356-04	ITEM CARTON CASE(A-A5)	KP	
-		*	H50-0357-04	ITEM CARTON CASE(A-A5L)	TE	
610	3D		J02-0370-05	FOOT		
611	1A		J19-2815-04	ANTENNA HOLDER		
△ 612	1D		J42-0083-05	POWER CORD BUSHING		
-			J61-0307-05	WIRE BAND		
614	3A		K29-4358-04	KNOB ASSY(VOLUME CONTROL)		
615	2A	*	K29-4426-01	KNOB(POWER, DISPLAY etc.)		
616	3A	*	K29-4427-04	KNOB(BALANCE, N.B.CIRCUIT)		
△ 617	3C	*	L07-0546-15	POWER TRANSFORMER	KP	
△ 617	3C	*	L07-0549-15	POWER TRANSFORMER	E	
△ 617	3C	*	L07-0570-15	POWER TRANSFORMER	T	
A	1B		N89-3008-45	BINDING HEAD TAPTITE SCREW		
B	3A		N09-1445-05	SET SCREW (M3X8)		
C	2B		N09-2782-05	TAPTITE SCREW (2.6X8)		
D	3C		N89-3006-46	BINDING HEAD TAPTITE SCREW		
E	2C		N86-4006-45	BINDING HEAD TAPTITE SCREW		
F	2B		N35-3006-46	BINDING HEAD MACHINE SCREW		
G	2C		N09-0333-05	TAPPING SCREW (3X12)		
618	1A		T90-0173-05	LOOP ANTENNA(AM)		
619	1A		T90-0176-05	T TYPE ANTENNA(FM)		
620	1A		T90-0185-05	ANTENNA ADAPTOR	TE	

L:Scandinavia

K:USA

P:Canada

Y:PX(Far East, Hawaii)

T:England

E:Europe

Y:AAFES(Europe)

X:Australia

M:Other Areas

S: SINGAPORE MADE

F: FRANCE MADE

△ indicates safety critical components.

A-A5/A5L

PARTS LIST

× New Parts

Parts without Parts No. are not supplied.

Les articles non mentionnes dans le Parts No. ne sont pas fournis.

Teile ohne Parts No. werden nicht geliefert.

Ref. No. 参照番号	Address 位置	New Parts 新	Parts No. 部品番号	Description 部品名 / 規格	Desti- nation 仕 向	Re- marks 備考
A-A5/A5L (K,P,T,E type): SINGAPORE MADE						
601	1B	*	A01-2966-01	METALLIC CABINET		S
602	3A	*	A60-0258-01	PANEL(A-A5)	KP	
602	3A	*	A60-0259-01	PANEL(A-A5L)	TE	
603	3A	*	B10-1928-03	FRONT GLASS		
604	3B	*	B11-0259-04	SMOKED FILTER		
-			B46-0092-13	WARRANTY CARD	K	
-			B46-0121-13	WARRANTY CARD	P	
-			B46-0122-23	WARRANTY CARD	E	
-			B46-0143-13	WARRANTY CARD	T	
-		*	B60-0930-00	INSTRUCTION MANUAL(ENGLISH)		
-		*	B60-0932-00	INSTRUCTION MANUAL(SPANISH)	E	
-		*	B60-0934-00	INSTRUCTION MANUAL(FRENCH)	PE	
-		*	B60-0935-00	INSTRUCTION MANUAL(GERMAN)	E	
-		*	B60-0936-00	INSTRUCTION MANUAL(DUTCH)	E	
-		*	B60-0937-00	INSTRUCTION MANUAL(ITALIAN)	E	
△ 606	1D		E30-2592-15	AC POWER CORD	E	
△ 606	1D		E30-2593-15	AC POWER CORD	T	
△ 606	1D		E30-2650-05	AC POWER CORD	KP	
607	2B, 2C	*	E35-0495-05	WIRING HARNESS		
-		*	H10-5324-02	POLYSTYRENE FOAMED FIXTURE(L)		S
-		*	H10-5325-02	POLYSTYRENE FOAMED FIXTURE(R)		S
-		*	H10-5390-03	POLYSTYRENE FOAMED FIXTURE(F)		S
-			H13-0086-04	CARTON BOARD		S
-			H25-0632-24	PROTECTION BAG	KPE	
-			H25-0644-04	PROTECTION BAG (0632 PRINTED)	T	
-		*	H25-0681-04	PROTECTION BAG		
-		*	H50-0418-04	ITEM CARTON CASE(A-A5)	KP	S
-		*	H50-0420-04	ITEM CARTON CASE(A-A5L)	TE	S
△ 610	3D		J02-0370-05	FOOT		
△ 611	1A		J19-2815-04	ANTENNA HOLDER		
△ 612	1D		J42-0083-05	POWER CORD BUSHING		
-			J61-0307-05	WIRE BAND		
614	3A		K29-4358-04	KNOB ASSY(VOLUME CONTROL)		
615	2A	*	K29-4426-01	KNOB(POWER, DISPLAY etc.)		
616	3A	*	K29-4427-04	KNOB(BALANCE, N.B.CIRCUIT)		
△ 617	3C	*	L07-0546-15	POWER TRANSFORMER	KP	
△ 617	3C	*	L07-0549-15	POWER TRANSFORMER	E	
△ 617	3C	*	L07-0570-15	POWER TRANSFORMER	T	
A	1B		N89-3008-45	BINDING HEAD TAPTITE SCREW		
B	3A		N09-1445-05	SET SCREW (M3X8)		
C	2B		N09-2782-05	TAPTITE SCREW (2.6X8)		
D	3C		N89-3006-46	BINDING HEAD TAPTITE SCREW		
E	2C		N86-4006-45	BINDING HEAD TAPTITE SCREW		
F	2B		N35-3006-46	BINDING HEAD MACHINE SCREW		
G	2C		N09-0333-05	TAPPING SCREW (3X12)		
618	1A		T90-0174-05	LOOP ANTENNA(AM)		S
619	1A		T90-0175-05	T TYPE ANTENNA(FM)		
620	1A		T90-0185-05	ANTENNA ADAPTOR	TE	

L:Scandinavia

K:USA

P:Canada

Y:PX(Far East, Hawaii)

T:England

E:Europe

Y:AAFES(Europe)

X:Australia

M:Other Areas

S: SINGAPORE MADE

F: FRANCE MADE

△ indicates safety critical components.

PARTS LIST

× New Parts

Parts without Parts No. are not supplied.

Les articles non mentionnes dans le Parts No. ne sont pas fournis.

Teile ohne Parts No. werden nicht geliefert.

Ref. No. 参照番号	Address 位置	New Parts 新	Parts No. 部品番号	Description 部品名 / 規格	Desti- nation 仕 向	Re- marks 備考
A-A5L (T,E type): FRANCE MADE						
601	1B	*	A01-2956-01	METALLIC CABINET		
602	3A	*	A60-0259-01	PANEL(A-A5L)		
603	3A	*	B10-1928-03	FRONT GLASS		
604	3B	*	B11-0259-04	SMOKED FILTER		
-			B46-0122-23	WARRANTY CARD	E	
-			B46-0143-13	WARRANTY CARD	T	
-		*	B60-0930-00	INSTRUCTION MANUAL(ENGLISH)		
-		*	B60-0932-00	INSTRUCTION MANUAL(SPANISH)	E	
-		*	B60-0934-00	INSTRUCTION MANUAL(FRENCH)	E	
-		*	B60-0935-00	INSTRUCTION MANUAL(GERMAN)	E	
-		*	B60-0936-00	INSTRUCTION MANUAL(DUTCH)	E	
-		*	B60-0937-00	INSTRUCTION MANUAL(ITALIAN)	E	
△ 606	1D		E30-2592-15	AC POWER CORD	E	
△ 606	1D		E30-2593-15	AC POWER CORD	T	
607	2B, 2C	*	E35-0495-05	WIRING HARNESS		
-		*	H10-5326-02	POLYSTYRENE FOAMED FIXTURE(L)		F
-		*	H10-5327-02	POLYSTYRENE FOAMED FIXTURE(R)		F
-		*	H10-5389-03	POLYSTYRENE FOAMED FIXTURE(F)		F
-			H13-0039-04	CARTON BOARD		
-			H25-0632-24	PROTECTION BAG	E	
-			H25-0644-04	PROTECTION BAG (0632 PRINTED)	T	
-		*	H25-0681-04	PROTECTION BAG		
-		*	H50-0421-04	ITEM CARTON CASE(A-A5L)		F
610	3D		J02-0370-05	FOOT		
611	1A		J19-2815-04	ANTENNA HOLDER		
△ 612	1D		J42-0083-05	POWER CORD BUSHING		
-			J61-0307-05	WIRE BAND		
614	3A		K29-4358-04	KNOB ASSY(VOLUME CONTROL)		
615	2A	*	K29-4426-01	KNOB(POWER, DISPLAY etc.)		
616	3A	*	K29-4427-04	KNOB(BALANCE, N.B. CIRCUIT)		
△ 617	3C	*	L07-0549-15	POWER TRANSFORMER	E	
△ 617	3C	*	L07-0570-15	POWER TRANSFORMER	T	
A	1B		N89-3008-45	BINDING HEAD TAPTITE SCREW		
B	3A		N09-1445-05	SET SCREW (M3X8)		
C	2B		N09-2782-05	TAPTITE SCREW (2.6X8)		
D	3C		N89-3006-46	BINDING HEAD TAPTITE SCREW		
E	2C		N86-4006-45	BINDING HEAD TAPTITE SCREW		
F	2B		N35-3006-46	BINDING HEAD MACHINE SCREW		
G	2C		N09-0333-05	TAPPING SCREW (3X12)		
618	1A		T90-0153-05	LOOP ANTENNA(AM)		S
619	1A		T90-0176-05	T TYPE ANTENNA(FM)		
620	1A		T90-0185-05	ANTENNA ADAPTOR		
A-A5 (Y,M,X type): JAPAN MADE						
601	1F	*	A01-2956-01	METALLIC CABINET		
602	2E	*	A60-0257-01	PANEL(A-A5)		
603	3E	*	B10-1928-03	FRONT GLASS		
604	3F	*	B11-0259-04	SMOKED FILTER		
-			B46-0094-03	WARRANTY CARD	Y	

L:Scandinavia

K:USA

P:Canada

S: SINGAPORE MADE

Y:PX(Far East, Hawaii)

T:England

E:Europe

F: FRANCE MADE

Y:AAFES(Europe)

X:Australia

M:Other Areas

△ indicates safety critical components.

A-A5/A5L

PARTS LIST

× New Parts

Parts without Parts No. are not supplied.

Les articles non mentionnes dans le Parts No. ne sont pas fournis.

Teile ohne Parts No. werden nicht geliefert.

Ref. No. 参照番号	Address 位置	New Parts 新	Parts No. 部品番号	Description 部品名 / 規格	Desti- nation 仕 向	Re- marks 備考
-			B46-0095-03	WARRANTY CARD	Y	
-			B46-0096-33	WARRANTY CARD	X	
-			B58-0513-04	CAUTION CARD (PRESET220-240)	Y	
-		*	B60-0930-00	INSTRUCTION MANUAL(ENGLISH)		
-		*	B60-0931-00	INSTRUCTION MANUAL(CHINESE)	M	
-		*	B60-0932-00	INSTRUCTION MANUAL(SPANISH)	M	
-		*	B60-0987-00	INSTRUCTION MANUAL(ARABIC)	M	
△ 605	1E		E03-0115-05	AC PLUG ADAPTER	M	
△ 606	1H		E30-2592-15	AC POWER CORD	M	
△ 606	1H		E30-2594-15	AC POWER CORD	X	
△ 606	1H		E30-2605-05	AC POWER CORD	Y	
607	2F, 2G	*	E35-0404-05	WIRING HARNESS		
608	2G	*	F09-0082-05	FAN		
-			H10-5300-02	POLYSTYRENE FOAMED FIXTURE(L)		
-			H10-5301-02	POLYSTYRENE FOAMED FIXTURE(R)		
-			H10-5391-03	POLYSTYRENE FOAMED FIXTURE(F)		
-			H13-0039-04	CARTON BOARD		
-			H25-0632-24	PROTECTION BAG		
-		*	H25-0681-04	PROTECTION BAG		
-		*	H50-0356-04	ITEM CARTON CASE(A-A5)		
610	3H		J02-0370-05	FOOT		
611	1E		J19-2815-04	ANTENNA HOLDER		
△ 612	1H		J42-0083-05	POWER CORD BUSHING		
-			J61-0307-05	WIRE BAND		
614	3E		K29-4358-04	KNOB ASSY(VOLUME CONTROL)		
615	2E	*	K29-4426-01	KNOB(POWER, DISPLAY etc.)		
616	3E	*	K29-4427-04	KNOB(BALANCE, N.B. CIRCUIT)		
△ 617	3G	*	L07-0547-15	POWER TRANSFORMER	YM	
△ 617	3G	*	L07-0548-15	POWER TRANSFORMER	X	
A	1F		N89-3008-45	BINDING HEAD TAPTITE SCREW		
B	3E		N09-1445-05	SET SCREW (M3X8)		
C	2F		N09-2782-05	TAPTITE SCREW (2.6X8)		
D	2F		N89-3006-46	BINDING HEAD TAPTITE SCREW		
E	2G		N86-4006-45	BINDING HEAD TAPTITE SCREW		
F	1G		N89-3010-45	BINDING HEAD TAPTITE SCREW		
G	1G		N09-0333-05	TAPPING SCREW (3X12)		
H	2F		N89-3020-46	BINDING HEAD TAPTITE SCREW		
618	1E		T90-0173-05	LOOP ANTENNA(AM)		
619	1E		T90-0176-05	T TYPE ANTENNA(FM)		
A-A5 (M,X type): SINGAPORE MADE						
601	1F	*	A01-2966-01	METALLIC CABINET		S
602	2E	*	A60-0257-01	PANEL(A-A5)		
603	3E	*	B10-1928-03	FRONT GLASS		
604	3F	*	B11-0259-04	SMOKED FILTER		
-			B46-0096-33	WARRANTY CARD	X	
-		*	B60-0930-00	INSTRUCTION MANUAL(ENGLISH)		
-		*	B60-0931-00	INSTRUCTION MANUAL(CHINESE)	M	
-		*	B60-0932-00	INSTRUCTION MANUAL(SPANISH)	M	
-		*	B60-0987-00	INSTRUCTION MANUAL(ARABIC)	M	
△ 605	1E		E03-0115-05	AC PLUG ADAPTER	M	

L:Scandinavia

K:USA

P:Canada

S: SINGAPORE MADE

Y:PX(Far East, Hawaii)

T:England

E:Europe

F: FRANCE MADE

Y:AAFES(Europe)

X:Australia

M:Other Areas

△ indicates safety critical components.

PARTS LIST

× New Parts

Parts without Parts No. are not supplied.

Les articles non mentionnes dans le Parts No. ne sont pas fournis.

Teile ohne Parts No. werden nicht geliefert.

Ref. No. 参照番号	Address 位置	New Parts 新	Parts No. 部品番号	Description 部品名 / 規格	Desti- nation 仕 向	Re- marks 備考
△ 606	1F		E30-2592-15	AC POWER CORD	M	
△ 606	1F		E30-2594-15	AC POWER CORD	X	
607	2F, 2G	*	E35-0404-05	WIRING HARNESS		
608	2G	*	F09-0082-05	FAN		
-		*	H10-5324-02	POLYSTYRENE FOAMED FIXTURE(L)		S
-		*	H10-5325-02	POLYSTYRENE FOAMED FIXTURE(R)		S
-		*	H10-5390-03	POLYSTYRENE FOAMED FIXTURE(F)		S
-			H13-0086-04	CARTON BOARD		
-			H25-0632-24	PROTECTION BAG		
-		*	H25-0681-04	PROTECTION BAG		
-		*	H50-0418-04	ITEM CARTON CASE(A-A5)	X	S
-		*	H50-0419-04	ITEM CARTON CASE(A-A5)	M	S
610	3H		J02-0370-05	FOOT		
611	1E		J19-2815-04	ANTENNA HOLDER		
△ 612	1H		J42-0083-05	POWER CORD BUSHING		
-			J61-0307-05	WIRE BAND		
614	3E		K29-4358-04	KNOB ASSY(VOLUME CONTROL)		
615	2E	*	K29-4426-01	KNOB(POWER, DISPLAY etc.)		
616	3E	*	K29-4427-04	KNOB(BALANCE, N.B. CIRCUIT)		
△ 617	3G	*	L07-0547-15	POWER TRANSFORMER	M	
△ 617	3G	*	L07-0548-15	POWER TRANSFORMER	X	
A	1E		N89-3008-45	BINDING HEAD TAPTITE SCREW		
B	3F		N09-1445-05	SET SCREW (M3X8)		
C	2F		N09-2782-05	TAPTITE SCREW (2.6X8)		
D	2F		N89-3006-46	BINDING HEAD TAPTITE SCREW		
E	2G		N86-4006-45	BINDING HEAD TAPTITE SCREW		
F	1G		N89-3010-45	BINDING HEAD TAPTITE SCREW		
G	1G		N09-0333-05	TAPPING SCREW (3X12)		
H	2F		N89-3020-46	BINDING HEAD TAPTITE SCREW		
618	1E		T90-0174-05	LOOP ANTENNA(AM)		S
619	1E		T90-0175-05	T TYPE ANTENNA(FM)		
AUDIO UNIT (K,P,T,E type) X09-368: JAPAN MADE X09-372: SINGAPORE, FRANCE MADE						
C1 ,2			C91-0749-05	CERAMIC 220PF	K	
C3 ,4			CE04KW1V100M	ELECTRO 10UF	35WV	
C5 ,6			CC45FSL1H560J	CERAMIC 56PF	J	
C7 ,8			C90-3253-05	ELECTRO 1UF	50WV	
C9 ,10			CK45FB1H561K	CERAMIC 560PF	K	
C11 ,12			CE04KW1H010M	ELECTRO 1.0UF	50WV	
C13 ,14			C90-3253-05	ELECTRO 1UF	50WV	
C15 ,16			C90-3254-05	ELECTRO 2.2UF	50WV	
C17 ,18			CC45FSL1H220J	CERAMIC 22PF	J	
C19 ,20			CC45FSL1H221J	CERAMIC 220PF	J	
C21 ,22			CC45FSL1H100D	CERAMIC 10PF	D	
C23 ,24			CC45FSL1H470J	CERAMIC 47PF	J	
C25 ,26			CC45FSL1H390J	CERAMIC 39PF	J	
C27 ,28			CC45FSL1H221J	CERAMIC 220PF	J	
C29 ,30			CF92FV1H103J	MF 0.010UF	J	
C31 ,32			CF92FV1H222J	MF 2200PF	J	
C33 -36			CF92FV1H104J	MF 0.10UF	J	
C37 ,38			CF92FV1H472J	MF 4700PF	J	
C39 ,40			CE04KW1C101M	ELECTRO 100UF	16WV	
C41 -44			C91-0749-05	CERAMIC 220PF	K	

L:Scandinavia

K:USA

P:Canada

S: SINGAPORE MADE

Y:PX(Far East, Hawaii)

T:England

E:Europe

F: FRANCE MADE

Y:AAFES(Europe)

X:Australia

M:Other Areas

△ indicates safety critical components.

A-A5/A5L

PARTS LIST

× New Parts

Parts without Parts No. are not supplied.

Les articles non mentionnes dans le Parts No. ne sont pas fournis.

Teile ohne Parts No. werden nicht geliefert.

Ref. No. 参照番号	Address 位置	New Parts 新	Parts No. 部品番号	Description 部品名 / 規格	Desti- nation 仕 向	Re- marks 備考
C45			C90-3258-05	ELECTRO 10UF 50WV		
C46			CE04KW1A101M	ELECTRO 100UF 10WV		
C47			CF92FV1H472J	MF 4700PF J		
C48			CE04HW1E330M	NP-ELEC 33UF 25WV		
C49			CF92FV1H104J	MF 0.10UF J		
C50			CE04KW1C101M	ELECTRO 100UF 16WV		
C51			CF92FV1H104J	MF 0.10UF J		
C53 ,54			CE04KW1H010M	ELECTRO 1.0UF 50WV		
C55			CE04KW1H470M	ELECTRO 47UF 50WV		
C56			C90-1826-05	BACKUP 0.047F 5.5WV		
C57			CF92FV1H104J	MF 0.10UF J		
C58 ,59			CE04KW1H220M	ELECTRO 22UF 50WV		
C60			CE04KW1E471M	ELECTRO 470UF 25WV		
C61			CE04KW1V470M	ELECTRO 47UF 35WV		
C62			CE04KW1E101M	ELECTRO 100UF 25WV		
C63			CF92FV1H104J	MF 0.10UF J		
C64			CE04KW1C101M	ELECTRO 100UF 16WV		
C65			CF92FV1H104J	MF 0.10UF J		
C66 ,67			CF92FV1H103J	MF 0.010UF J		
C68 ,69			CE04KW1H221M	ELECTRO 220UF 50WV		
C70 ,71		*	C90-1966-05	ELECTRO 4700UF 42WV		
C73 ,74			CF92FV1H154J	MF 0.15UF J		
C75 ,76			CE04HW1H010M	NP-ELEC 1.0UF 50WV		
C77 ,78			CF92FV1H105J	MF 1.0UF J		
C83 ,84			CK45FB1H102K	CERAMIC 1000PF K		
C87 ,88		*	C90-3247-05	ELECTRO 47UF 35WV		
C89			CK45FF1H103Z	CERAMIC 0.010UF Z		
C91			CK45FF1H223Z	CERAMIC 0.022UF Z		
C92			CK45FB1H102K	CERAMIC 1000PF K		
C93			CE04KW1H010M	ELECTRO 1.0UF 50WV		
C94 -96			CK45FB1H102K	CERAMIC 1000PF K		
C97			CE04KW1C330M	ELECTRO 33UF 16WV		
△ C98			C91-1439-05	FILM 0.01UF 250VAC		
J1	2D		E08-1508-05	RECTANGULAR RECEPTACLE(RED)		
J2	2D		E08-0411-05	RECTANGULAR RECEPTACLE(GRAY)		
J3	2D		E20-0475-05	LOCK TERMINAL BOARD(SPEAKERS)		
J4	2D		E13-0138-05	PHONE JACK(SUPER WOOFER)		
625	1C		F20-1284-05	INSULATING BOARD		
△ F1			F05-1222-05	FUSE (SEMKO) (250V T1.25A)	TE	
△ F1			F06-2525-05	FUSE (UL) (250V 2.5A)	KP	
△ F2			F04-2025-05	FUSE (UL) (250V 2A)	KP	
△ F2			F06-2021-05	FUSE (SEMKO) (250V T2A)	TE	
△ F3			F06-2021-05	FUSE (SEMKO) (250V T2A)	TE	
△ F3			F06-2525-05	FUSE (UL) (250V 2.5A)	KP	
△ F4			F04-2025-05	FUSE (UL) (250V 2A)	KP	
△ F4			F06-2021-05	FUSE (SEMKO) (250V T2A)	TE	
CN7 -14			J13-0075-05	FUSE CLIP		
L1 ,2			L39-0085-05	PHASE COMPENSATION COIL		
△ T1	2C		L07-0332-05	POWER TRANSFORMER	KP	
△ T1	2C		L07-0333-05	POWER TRANSFORMER	T	
△ T1	2C		L07-0334-05	POWER TRANSFORMER	E	
CP1 ,2			R90-0826-05	MULTI-COMP 0.22X2 J 5W		
R39 ,40			RD14NB2E4R7J	RD 4.7 J 1/4W		

L:Scandinavia

K:USA

P:Canada

Y:PX(Far East, Hawaii)

T:England

E:Europe

Y:AAFES(Europe)

X:Australia

M:Other Areas

S: SINGAPORE MADE

F: FRANCE MADE

△ indicates safety critical components.

PARTS LIST

× New Parts

Parts without Parts No. are not supplied.

Les articles non mentionnés dans le Parts No. ne sont pas fournis.

Teile ohne Parts No. werden nicht geliefert.

Ref. No. 参照番号	Address 位置	New Parts 新	Parts No. 部品番号	Description 部品名/規格	Desti- nation 仕向	Re- marks 備考
R49 ,50			RD14NB2E4R7J	RD 4.7 J 1/4W		
R57 ,58			RS14KB3D100J	FL-PROOF RS 10 J 2W		
R61 ,62			RD14NB2E100J	RD 10 J 1/4W		
R86 ,87			RD14NB2E101J	RD 100 J 1/4W		
R94			RS14KB3D391J	FL-PROOF RS 390 J 2W		
R95 ,96			RD14NB2E101J	RD 100 J 1/4W		
R116 ,117			RS14KB3D391J	FL-PROOF RS 390 J 2W		
R119 ,120			RD14NB2E470J	RD 47 J 1/4W		
△ R139			RS14KB3D100J	FL-PROOF RS 10 J 2W		
△ R140			R92-0173-05	RC 2.2M M 1/2W	KP	
R142			RS14KB3D121J	FL-PROOF RS 120 J 2W		
R143			RS14KB3D151J	FL-PROOF RS 150 J 2W		
R147			RS14KB3D681J	FL-PROOF RS 680 J 2W		
VR1	2C	*	R29-5073-05	POTENTIOMETER(VOLUME CONTROL)		
VR2	2C	*	R11-9023-05	POTENTIOMETER(BALANCE)		
VR3	2C		R05-5046-05	POTENTIOMETER(N.B.CIRCUIT)		
△ K1			S76-0009-05	MAGNETIC RELAY(POWER)		
K2			S76-0005-05	MAGNETIC RELAY(FRONT SPEAKERS)		
D1 -9			HSS104	DIODE		
D1 -9			1SS133	DIODE		
D10			HZS4.7N(B2)	ZENER DIODE		
D10			RD4.7ES(B2)	ZENER DIODE		
D11			HSS104	DIODE		
D11			1SS133	DIODE		
D12			HZS6.8N(B2)	ZENER DIODE		
D12			RD6.8ES(B2)	ZENER DIODE		
D13			HSS104	DIODE		
D13			1SS133	DIODE		
△ D14 ,15			S5688B	DIODE		
D16			HZS27N(B2)	ZENER DIODE		
D16			RD27ES(B2)	ZENER DIODE		
△ D17 ,18			S5688B	DIODE		
D19			HSS104	DIODE		
D19			1SS133	DIODE		
△ D20			D3SBA20F03	DIODE		
D21			HZS4.7N(B2)	ZENER DIODE		
D21			RD4.7ES(B2)	ZENER DIODE		
D22 -31			HSS104	DIODE		
D22 -31			1SS133	DIODE		
D34			HZS4.7N(B2)	ZENER DIODE		
D34			RD4.7ES(B2)	ZENER DIODE		
D35 ,36			HSS104	DIODE		
D35 ,36			1SS133	DIODE		
D37			HZS4.7N(B2)	ZENER DIODE		
D37			RD4.7ES(B2)	ZENER DIODE		
D38 ,39			HSS104	DIODE		
D38 ,39			1SS133	DIODE		
D40			HZS5.6N(B2)	ZENER DIODE		
D40			RD5.6ES(B2)	ZENER DIODE		
D41 -45			HSS104	DIODE		
D41 -45			1SS133	DIODE		
IC1 ,2			NJM4565D-D	IC(MOT AMP X2)		
IC3			TAB409S	IC(MOTOR CONTROL)		

L:Scandinavia

K:USA

P:Canada

S: SINGAPORE MADE

F: FRANCE MADE

Y:PX(Far East, Hawaii)

T:England

E:Europe

Y:AAFES(Europe)

X:Australia

M:Other Areas

△ indicates safety critical components.

PARTS LIST

× New Parts

Parts without Parts No. are not supplied.

Les articles non mentionnes dans le Parts No. ne sont pas fournis.

Teile ohne Parts No. werden nicht geliefert.

Ref. No. 参照番号	Address 位置	New Parts 新	Parts No. 部品番号	Description 部品名/規格	Desti- nation 仕向	Re- marks 備考
IC5			TA7815S	IC(VOLTAGE REGULATOR/ +15V)		
IC5			UPC7815AHF	IC(VOLTAGE REGULATOR/+15V)		
IC6			TA79015S	IC(VOLTAGE REGULATOR/ -15V)		
IC7			PST529D	IC(SYSTEM RESET)		
IC8			TA7805S	IC(VOLTAGE REGULATOR/ +5V)		
IC8			UPC7805AHF	IC(VOLTAGE REGULATOR/ +5V)		
Q1 -4			2SC1740S(Q,R)	TRANSISTOR		
Q1 -4			2SC2458(Y,GR)	TRANSISTOR		
Q1 -4			2SC2785(F,E)	TRANSISTOR		
Q1 -4			2SC3311A(Q,R)	TRANSISTOR		
Q5 -8			2SA992(E,F)	TRANSISTOR		
Q9 -12			2SC1845(F,E)	TRANSISTOR		
Q13 ,14			2SA992(E,F)	TRANSISTOR		
Q15 ,16			2SC4137(V,W)	TRANSISTOR		
Q17 ,18			2SC1845(F,E)	TRANSISTOR		
△ Q19 ,20			2SD2340	TRANSISTOR		
△ Q21 ,22			2SB1531	TRANSISTOR		
Q23			2SA1048(Y,GR)	TRANSISTOR		
Q23			2SA1175(F,E)	TRANSISTOR		
Q23			2SA1309A(Q,R)	TRANSISTOR		
Q23			2SA933S(Q,R)	TRANSISTOR		
Q24 ,25			2SC2003(L,K)	TRANSISTOR		
Q26			2SC2878(B)	TRANSISTOR		
Q27			2SA1048(Y,GR)	TRANSISTOR		
Q27			2SA1175(F,E)	TRANSISTOR		
Q27			2SA1309A(Q,R)	TRANSISTOR		
Q27			2SA933S(Q,R)	TRANSISTOR		
Q31			2SC2003(L,K)	TRANSISTOR		
△ Q32			2SB764	TRANSISTOR		
Q33			2SC2003(L,K)	TRANSISTOR		
Q34			2SA992(E,F)	TRANSISTOR		
Q35 ,36			2SC1845(F,E)	TRANSISTOR		
Q37			2SA1048(Y,GR)	TRANSISTOR		
Q37			2SA1175(F,E)	TRANSISTOR		
Q37			2SA1309A(Q,R)	TRANSISTOR		
Q37			2SA933S(Q,R)	TRANSISTOR		
Q38			2SC1740S(Q,R)	TRANSISTOR		
Q38			2SC2458(Y,GR)	TRANSISTOR		
Q38			2SC2785(F,E)	TRANSISTOR		
Q38			2SC3311A(Q,R)	TRANSISTOR		
AUDIO UNIT (Y,M,X type) X09-367 :JAPAN MADE X09-371: SINGAPORE MADE						
C1 ,2			CK45FB1H471K	CERAMIC 470PF	K	
C5 ,6			CC45FSL1H151J	CERAMIC 150PF	J	
C7 ,8			CF92FV1H222J	MF 2200PF	J	
C9 ,10			C90-3225-05	ELECTRO 10UF	16WV	
C11 ,12			CF92FV1H154J	MF 0.15UF	J	
C13 ,14			CE04KW1H2R2M	ELECTRO 2.2UF	50WV	
C15 ,16			C90-3225-05	ELECTRO 10UF	16WV	
C21 ,22			CE04KW1H010M	ELECTRO 1.0UF	50WV	
C23 -26			CC45FSL1H121J	CERAMIC 120PF	J	
C27 ,28			CC45FSL1H100D	CERAMIC 10PF	D	
C29 ,30			CC45FSL1H470J	CERAMIC 47PF	J	
C31 ,32			CC45FSL1H221J	CERAMIC 220PF	J	
C33 ,34			C90-1845-05	ELECTRO 100UF	6.3WV	
C35 ,36			CE04KW1V100M	ELECTRO 10UF	35WV	

L:Scandinavia

K:USA

P:Canada

S: SINGAPORE MADE

Y:PX(Far East, Hawaii)

T:England

E:Europe

F: FRANCE MADE

Y:AAFES(Europe)

X:Australia

M:Other Areas

△ indicates safety critical components.

PARTS LIST

× New Parts

Parts without Parts No. are not supplied.

Les articles non mentionnes dans le Parts No. ne sont pas fournis.

Teile ohne Parts No. werden nicht geliefert.

Ref. No. 参照番号	Address 位置	New Parts 新	Parts No. 部品番号	Description 部品名 / 規格	Desti- nation 仕 向	Re- marks 備考
C37 ,38			CC45FSL1H390J	CERAMIC 39PF J		
C41 ,42			CE04KW1C220M	ELECTRO 22UF 16WV		
C43 -46			CF92FV1H473J	MF 0.047UF J		
C49 ,50			CF92FV1H103J	MF 0.010UF J		
C51 ,52			CF92FV1H023J	MF 0.082UF J		
C53 ,54			CE04KW1C100M	ELECTRO 10UF 16WV		
C71			CE04KW1H470M	ELECTRO 47UF 50WV		
C72			CE04KW1H221M	ELECTRO 220UF 50WV		
C81			CF92FV1H102J	MF 1000PF J		
C82			CE04KW1C100M	ELECTRO 10UF 16WV		
C83			CC45FSL1H221J	CERAMIC 220PF J		
C84			CF92FV1H473J	MF 0.047UF J		
C86			CF92FV1H472J	MF 4700PF J		
C90 ,91		*	C90-1966-05	ELECTRO 4700UF 42WV		
C93 ,94			CF92FV1H104J	MF 0.10UF J		
C95 -97			CE04KW1C101M	ELECTRO 100UF 16WV		
C98 ,99			CF92FV1H104J	MF 0.10UF J		
C107			CE04KW1H4R7M	ELECTRO 4.7UF 50WV		
C108			CE04KW1H010M	ELECTRO 1.0UF 50WV		
C109			CE04KW1A101M	ELECTRO 100UF 10WV		
C110			CE04KW1C470M	ELECTRO 47UF 16WV		
C111			CE04KW1C101M	ELECTRO 100UF 16WV		
C112			CE04KW1H2R2M	ELECTRO 2.2UF 50WV		
C113,114			CC45FSL1H101J	CERAMIC 100PF J		
C115			C90-3253-05	ELECTRO 1UF 50WV		
C116			CE04KW1H010M	ELECTRO 1.0UF 50WV		
△ C117			C91-1439-05	FILM 0.01UF 250VAC		
C118,119			CK45FF1H103Z	CERAMIC 0.010UF Z		
C120			CE04KW1C101M	ELECTRO 100UF 16WV		
C121,122			CK45FF1H103Z	CERAMIC 0.010UF Z		
C133			CE04KW1V330M	ELECTRO 33UF 35WV		
C138,139			CF92FV1H104J	MF 0.10UF J		
C140,141			C91-0769-05	CERAMIC 0.01UF K		
C142			CF92FV1H224J	MF 0.22UF J		
C230			CE04KW1E101M	ELECTRO 100UF 25WV		
C231,232			CE04KW1V470M	ELECTRO 47UF 35WV		
C233,234			CE04KW1V100M	ELECTRO 10UF 35WV		
C235			CE04KW1E471M	ELECTRO 470UF 25WV		
C236			CE04KW1H010M	ELECTRO 1.0UF 50WV		
C237			C90-1827-05	BACKUP 0.047F 5.5WV		
C238		*	C90-3239-05	ELECTRO 100UF 25WV		
C243,244			C90-3253-05	ELECTRO 1UF 50WV		
C245,246		*	C90-3237-05	ELECTRO 47UF 25WV		
J1	2H		E08-1508-05	RECTANGULAR RECEPTACLE(RED)		
J2	2H		E58-0001-05	RECTANGULAR RECEPTACLE(GREEN)		
J3	2G		E20-0459-05	LOCK TERMINAL BOARD(F.SP.)		
J4	2H		E63-0018-05	PHONO JACK(S.WOOFER,SURR.SP.)		
J5	2F		E11-0220-05	MINIATURE PHONE JACK(MIC)		
625	1F,1G		F20-1284-05	INSULATING BOARD		
△ F1			F05-4025-05	FUSE (SEMKO) (250V T4A)	YM	
△ F2			F06-2021-05	FUSE (SEMKO) (250V T2A)		
△ F3 ,4			F05-4025-05	FUSE (SEMKO) (250V T4A)		
△ F5 -7			F06-2021-05	FUSE (SEMKO) (250V T2A)		
CN6 ,7			J13-0075-05	FUSE CLIP		

L:Scandinavia

K:USA

P:Canada

Y:PX(Far East, Hawaii)

T:England

E:Europe

Y:AAFES(Europe)

X:Australia

M:Other Areas

S: SINGAPORE MADE

F: FRANCE MADE

△ indicates safety critical components.

A-A5/A5L

PARTS LIST

× New Parts

Parts without Parts No. are not supplied.

Les articles non mentionnes dans le Parts No. ne sont pas fournis.

Teile ohne Parts No. werden nicht geliefert.

Ref. No. 参照番号	Address 位置	New Parts 新	Parts No. 部品番号	Description 部品名 / 規格	Desti- nation 仕向	Re- marks 備考
CN8 ,9 CN10-19			J13-0075-05 J13-0075-05	FUSE CLIP FUSE CLIP	YM	
L1 ,2 T1 T1	2G 2G		L39-0085-05 L07-0333-05 L07-0335-05	PHASE COMPENSATION COIL POWER TRANSFORMER POWER TRANSFORMER	X YM	
CP1 ,2 R37 ,38 R39 ,40 R41 ,42 R43 ,44			R90-0187-05 RN14BK2C1471F RD14NB2E151J RD14NB2E222J RD14NB2E181J	MULTI-COMP 0.22X2 K 5W RN 1.47K F 1/6W RD 150 J 1/4W RD 2.2K J 1/4W RD 180 J 1/4W		
R45 ,46 R55 ,56 R57 -60 R61 ,62 R63 ,64			RD14NB2E151J RN14BK2C1003F RD14NB2E4R7J RS14KB3D100J RD14NB2E4R7J	RD 150 J 1/4W RN 100K F 1/6W RD 4.7 J 1/4W FL-PROOF RS 10 J 2W RD 4.7 J 1/4W		
R65 ,66 R85 R86 R150 R187,188			RS14KB3D561J RD14NB2E221J RD14NB2E101J RS14KB3D271J RD14NB2E221J	FL-PROOF RS 560 J 2W RD 220 J 1/4W RD 100 J 1/4W FL-PROOF RS 270 J 2W RD 220 J 1/4W		
R202 R204 R225,226 R229 R231			RS14KB3D121J RS14KB3D151J RD14NB2E100J R92-0513-05 RS14KB3D101J	FL-PROOF RS 120 J 2W FL-PROOF RS 150 J 2W RD 10 J 1/4W FUSE RESIST 10 G 1/4W FL-PROOF RS 100 J 2W		
R236 VR1 VR2 VR3 VR4	2G 2G 2G 2F	*	RS14KB3D681J R29-9028-05 R10-5043-05 R11-9022-05 R10-5060-05	FL-PROOF RS 680 J 2W POTENTIOMETER(VOLUME CONTROL) POTENTIOMETER(BALANCE) POTENTIOMETER(N.B. CIRCUIT) POTENTIOMETER(MIC MIXING)		
K1 K2 S1 S2		*	S76-0002-05 S76-0005-05 S79-0006-05 S79-0007-05	MAGNETIC RELAY(POWER) MAGNETIC RELAY(FRONT SP.) SWITCH ASSY (80°C CUT FAN) SWITCH ASSY(105°C CUT PROTECT)		
D1 -5 D1 -5 D6 D6 D7			HSS104A 1SS131 HZS4.7N(B) RD4.7ES(B) HSS104A	DIODE DIODE ZENER DIODE ZENER DIODE DIODE		
D7 D10 D10 D11 D11			1SS131 D5SBA20F03 RBV-602LFA HZS4.7N(B) RD4.7ES(B)	DIODE DIODE DIODE ZENER DIODE ZENER DIODE		
D12 D12 D13 ,14 D13 ,14 D15 -17			HSS104A 1SS131 HZS5.6N(B2) RD5.6ES(B2) HSS104A	DIODE DIODE ZENER DIODE ZENER DIODE DIODE		
D15 -17 D18 D18 D19 D19			1SS131 HZS4.7N(B) RD4.7ES(B) HZS16N(B2) RD16ES(B2)	DIODE ZENER DIODE ZENER DIODE ZENER DIODE ZENER DIODE		

L:Scandinavia

K:USA

P:Canada

S: SINGAPORE MADE

Y:PX(Far East, Hawaii)

T:England

E:Europe

F: FRANCE MADE

Y:AAFES(Europe)

X:Australia

M:Other Areas

△ indicates safety critical components.

PARTS LIST

× New Parts

Parts without Parts No. are not supplied.

Les articles non mentionnes dans le Parts No. ne sont pas fournis.

Teile ohne Parts No. werden nicht geliefert.

Ref. No. 参照番号	Address 位置	New Parts 新	Parts No. 部品番号	Description 部品名 / 規格	Desti- nation 仕向	Re- marks 備考
D20			S5688B	DIODE		
D20			1SR139-100	DIODE		
D22 ,23			HSS104A	DIODE		
D22 ,23			1SS131	DIODE		
D24			HZS6.8N(B2)	ZENER DIODE		
D24			RD6.8ES(B2)	ZENER DIODE		
D25			HZS6.2N(B2)	ZENER DIODE		
D25			RD6.2ES(B2)	ZENER DIODE		
D26			HZS11N(B2)	ZENER DIODE		
D26			RD11ES(B2)	ZENER DIODE		
D27			HZS16N(B2)	ZENER DIODE		
D27			RD16ES(B2)	ZENER DIODE		
△ D29 -32			S5688B	DIODE		
△ D29 -32			1SR139-100	DIODE		
D33 -44			HSS104A	DIODE		
D33 -44			1SS131	DIODE		
D47 -58			HSS104A	DIODE		
D47 -58			1SS131	DIODE		
IC1			NJM4565D-D	IC(OP AMP X2)		
IC2			TA8409S	IC(MOTOR CONTROL)		
IC4			NJM4565D-D	IC(OP AMP X2)		
IC6			PST529C	IC(SYSTEM RESET)		
△ IC7			TA7815S	IC(VOLTAGE REGULATOR/ +15V)		
△ IC7			UPC7815AHF	IC(VOLTAGE REGULATOR/+15V)		
Q1 ,2			2SC1845(F, E)	TRANSISTOR		
Q5 -8			2SA992(F, E)	TRANSISTOR		
Q9 -12			2SC1845(F, E)	TRANSISTOR		
Q13 ,14			2SA992(F, E)	TRANSISTOR		
Q15 ,16			2SC4137(V, W)	TRANSISTOR		
Q17 ,18			2SD2340	TRANSISTOR		
Q19 ,20			2SB1531	TRANSISTOR		
Q21 ,22			2SC1845(F, E)	TRANSISTOR		
Q23			2SA1123(R, S)	TRANSISTOR		
Q24 ,25			2SC1845(F, E)	TRANSISTOR		
Q26			2SC2003(L, K)	TRANSISTOR		
Q29			2SC2878(B)	TRANSISTOR		
Q30			2SA1048(Y, GR)	TRANSISTOR		
Q30			2SA1175(F, E)	TRANSISTOR		
Q30			2SA1309A(Q, R)	TRANSISTOR		
Q30			2SA933S(Q, R)	TRANSISTOR		
Q35 ,36			2SC2878(B)	TRANSISTOR		
Q37			2SA1048(Y, GR)	TRANSISTOR		
Q37			2SA1175(F, E)	TRANSISTOR		
Q37			2SA1309A(Q, R)	TRANSISTOR		
Q37			2SA933S(Q, R)	TRANSISTOR		
Q38			2SC1740S(Q, R)	TRANSISTOR		
Q38			2SC2458(Y, GR)	TRANSISTOR		
Q38			2SC2785(F, E)	TRANSISTOR		
Q38			2SC3311A(Q, R)	TRANSISTOR		
Q40			DTC124ES	DIGITAL TRANSISTOR		
Q40			UN4212	TRANSISTOR		
Q52			2SC2003(L, K)	TRANSISTOR		
△ Q53			2SA954(L, K)	TRANSISTOR		
△ Q60			2SA1534A(R, S)	TRANSISTOR		
△ Q61			2SD2061(E, F, G)	TRANSISTOR		

L:Scandinavia

K:USA

P:Canada

S: SINGAPORE MADE

Y:PX(Far East, Hawaii)

T:England

E:Europe

F: FRANCE MADE

Y:AAFES(Europe)

X:Australia

M:Other Areas

△ indicates safety critical components.

A-A5/A5L

PARTS LIST

× New Parts

Parts without Parts No. are not supplied.

Les articles non mentionnes dans le Parts No. ne sont pas fournis.

Teile ohne Parts No. werden nicht geliefert.

Ref. No. 参照番号	Address 位置	New Parts 新	Parts No. 部品番号	Description 部品名 / 規格	Desti- nation 仕 向	Re- marks 備考
Q62 Q63			2SC2003(L, K) 2SA992(F, E)	TRANSISTOR TRANSISTOR		
DISPLAY UNIT (All destination)				X14-362: JAPAN MADE X14-364: SINGAPORE, FRANCE MADE		
D201, 202			B30-1291-05	LED		
C1 -4			CK45FF1H103Z	CERAMIC 0.010UF Z		
C5			CE04KW1C470M	ELECTRO 47UF 16WV		
C6 ,7			CK45FF1H103Z	CERAMIC 0.010UF Z		
C8			CE04KW1HR47M	ELECTRO 0.47UF 50WV		
C9			CC45FSL1H101J	CERAMIC 100PF J		
C10			CE04KW1H2R2M	ELECTRO 2.2UF 50WV		
C11			CE04KW1H3R3M	ELECTRO 3.3UF 50WV		
C12			CK45FF1H103Z	CERAMIC 0.010UF Z		
C13			CQ92FM1H153J	MYLAR 0.015UF J		
C14 ,15			CK45FF1H223Z	CERAMIC 0.022UF Z		
C16			CE04KW1V4R7M	ELECTRO 4.7UF 35WV		
C17			CK45FF1H223Z	CERAMIC 0.022UF Z		
C18			CE04KW1V100M	ELECTRO 10UF 35WV		
C19			CK45FF1H223Z	CERAMIC 0.022UF Z		
C20			CE04KW1V100M	ELECTRO 10UF 35WV		
C21			C90-3230-05	ELECTRO 100UF 16WV		
C27 ,28			CQ92FM1H153J	MYLAR 0.015UF J	YMX	
C27 ,28			CQ92FM1H223J	MYLAR 0.022UF J	KP	
C27 ,28			CQ92FM1H392J	MYLAR 3900PF J	TE	
C29 ,30			C90-3253-05	ELECTRO 1UF 50WV		
C41 ,42			CC45FCH1H220J	CERAMIC 22PF J		
C43 -45			CK45FB1H471K	CERAMIC 470PF K		
C46 ,47			CK45FF1H103Z	CERAMIC 0.010UF Z		
C48			CQ92FM1H273J	MYLAR 0.027UF J		
C49			CE04KW1H010M	ELECTRO 1.0UF 50WV		
C50			CE04KW1C470M	ELECTRO 47UF 16WV		
C51			CE04KW1H010M	ELECTRO 1.0UF 50WV		
C52			CE04KW1A470M	ELECTRO 47UF 10WV		
C55			CK45FF1H103Z	CERAMIC 0.010UF Z		
C56			CC45FSL1H220J	CERAMIC 22PF J		
C62 -64			C90-3253-05	ELECTRO 1UF 50WV		
C65			C90-3249-05	ELECTRO 0.22UF 50WV		
C66			C90-3244-05	ELECTRO 10UF 35WV		
C67 ,68			CC45FSL1H101J	CERAMIC 100PF J	KPYMX	
C67 ,68			CC45FSL1H271J	CERAMIC 270PF J	TE	
C69			CE04KW1V100M	ELECTRO 10UF 35WV		
C70			CC45FSL1H561J	CERAMIC 560PF J		
C71			CQ92FM1H103J	MYLAR 0.010UF J		
C106			CE04KW1C470M	ELECTRO 47UF 16WV		
C107			CK45FF1H223Z	CERAMIC 0.022UF Z		
C108			CK45FF1H223Z	CERAMIC 0.022UF Z	TE	
C109, 110			C91-0085-05	CERAMIC 0.022UF N	TE	
C111 -114			CK45FF1H223Z	CERAMIC 0.022UF Z	TE	
C135, 136			CQ92FM1H682J	MYLAR 6800PF J	YM	
C170			CC45FSL1H101J	CERAMIC 100PF J	TE	
C171			CC45FSL1H470J	CERAMIC 47PF J	TE	
C201			CC45FCH1H330J	CERAMIC 33PF J		
C202			CC45FCH1H270J	CERAMIC 27PF J		
C203			CE04DW1A101M	ELECTRO 100UF 10WV		
C204, 205			C91-0769-05	CERAMIC 0.01UF K		

L:Scandinavia

K:USA

P:Canada

S: SINGAPORE MADE

Y:PX(Far East, Hawaii)

T:England

E:Europe

F: FRANCE MADE

Y:AAFES(Europe)

X:Australia

M:Other Areas

△ indicates safety critical components.

PARTS LIST

* New Parts
Parts without Parts No. are not supplied.
Les articles non mentionnés dans le Parts No. ne sont pas fournis.
Teile ohne Parts No. werden nicht geliefert.

Ref. No. 参照番号	Address 位置	New Parts 新	Parts No. 部品番号	Description 部品名 / 規格	Destination 仕向	Remarks 備考
C206			C90-3240-05	ELECTRØ 2.2UF	TE	
C209			C90-3253-05	ELECTRØ 1UF	TE	
C210-214			C91-0769-05	CERAMIC 0.01UF	TE	
C215			C90-3210-05	ELECTRØ 22UF	TE	
J1	1D, 1H		E20-0321-05	LOCK TERMINAL BOARD (ANTENNA)	TE	
J1	1D, 1H		E20-0476-05	LOCK TERMINAL BOARD (ANTENNA)	TE	
J3	2A, 2E		E11-0234-05	PHONE JACK (PHONES)	TE	
CF1, 2			L72-0531-05	CERAMIC FILTER	TE	
CF1, 2			L72-0536-05	CERAMIC FILTER	TE	
CF3			L72-0096-05	CERAMIC FILTER	TE	
L1			L30-0488-05	FM IFT (DISCRIMINATOR)	TE	
L2			L30-0439-25	FM IFT (DISCRIMINATOR)	TE	
L2			L30-0494-05	FM IFT (DISCRIMINATOR)	TE	
L3			L40-1021-14	SMALL FIXED INDUCTOR (1.0mH, K)	TE	
L5			L79-0125-05	LC FILTER	TE	
L6			L79-0790-05	LC FILTER	TE	
L8			L40-1091-17	SMALL FIXED INDUCTOR (1UH)	TE	
L104			L39-0189-05	COMBINATION COIL	TE	
L104			L39-0195-05	COMBINATION COIL	TE	
L105			L39-0192-05	COMBINATION COIL	TE	
L106			L40-1091-17	SMALL FIXED INDUCTOR (1UH)	TE	
X1			L77-1122-05	CRYSTAL RESONATOR (7.2MHz)	TE	
X2			L78-0208-05	RESONATOR (4.56kHz)	TE	
X201			L77-1176-05	CRYSTAL RESONATOR (4.194304MHz)	TE	
CP201			R90-0855-05	MULTI-COMP 100KX5	TE	
CP202			R90-0482-05	MULTI-COMP 100KX4	TE	
CP203			R90-0824-05	MULTI-COMP 4.7KX4	TE	
R21			RD14NB2E680J	RD 68	TE	
R37			RD14GB2E101J	FL-PROOF RD 100	TE	
R53			RS14KB3D101J	FL-PROOF RS 100	TE	
VR1			RS14KB3D121J	FL-PROOF RS 120	TE	
VR3			R12-3687-05	TRIMMING POT. (33K) <FM T-LEVEL>	TE	
VR5			R12-3685-05	TRIMMING POT. (10K) <AM T-LEVEL>	TE	
VR5			R12-6663-05	TRIMMING POT. (330K) <SEPA.>	TE	
S1			S40-1064-05	PUSH SWITCH (1-0, AI TIMER etc.)	TE	
S27, 28			S40-1064-05	PUSH SWITCH (TUNER, TAPE)	TE	
S30			S40-1064-05	PUSH SWITCH (LD/AUX, DISPLAY)	TE	
S37			S31-3010-05	SLIDE SWITCH (110-120/220-240V)	TE	
S101			S31-2132-05	SLIDE SWITCH (DE-EM, CH. SPACE)	TE	
D1			HSS104	DIODE	TE	
D1			1N4148	DIODE	TE	
D1			1SS133	DIODE	TE	
D3			BZX55-CSV1	ZENER DIODE	TE	
D3			HZSS.1N(B2)	ZENER DIODE	TE	
D3			RDS.1ES(B2)	ZENER DIODE	TE	
D109, 110			HSS104	DIODE	TE	
D109, 110			1N4148	DIODE	TE	
D109, 110			1SS133	DIODE	TE	
D111, 112			HSS104	DIODE	TE	
D111, 112			1N4148	DIODE	TE	
D111, 112			1SS133	DIODE	TE	
D113-116			1N4148	DIODE	TE	
D113-116			1SS133	DIODE	TE	

L:Scandinavia K:USA P:Canada S: SINGAPORE MADE
Y:PX(Far East, Hawaii) T:England E:Europe F: FRANCE MADE
Y:AFES(Europe) X:Australia M:Other Areas

△ indicates safety critical components.

PARTS LIST

* New Parts
Parts without Parts No. are not supplied.
Les articles non mentionnés dans le Parts No. ne sont pas fournis.
Teile ohne Parts No. werden nicht geliefert.

Ref. No. 参照番号	Address 位置	New Parts 新	Parts No. 部品番号	Description 部品名 / 規格	Destination 仕向	Remarks 備考
D120			BZX55-C3V3	ZENER DIODE	TE	
D120			HZ53.3N(B2)	ZENER DIODE	TE	
D120			RD3.3ES(B2)	ZENER DIODE	TE	
D122			HSS104	DIODE	TE	
D122			1N4148	DIODE	TE	
D122			1SS133	DIODE	TE	
D122			HSS104	DIODE	TE	
D122			1N4148	DIODE	TE	
D122			1SS133	DIODE	TE	
D123			HSS104	DIODE	TE	
D123			1N4148	DIODE	TE	
D123			1SS133	DIODE	TE	
D124			HSS104	DIODE	TE	
D124			1N4148	DIODE	TE	
D124			1SS133	DIODE	TE	
D215			HSS104	DIODE	TE	
D215			1N4148	DIODE	TE	
D215			1SS133	DIODE	TE	
D216			HSS104	DIODE	TE	
D216			1SS133	DIODE	TE	
D217-227			HSS104	DIODE	TE	
D217-227			1N4148	DIODE	TE	
D217-227			1SS133	DIODE	TE	
D231-234			HSS104	DIODE	TE	
D231-234			1N4148	DIODE	TE	
D231-234			1SS133	DIODE	TE	
D231-234			HSS104	DIODE	TE	
D231-234			1N4148	DIODE	TE	
D231-234			1SS133	DIODE	TE	
D231-234			FIP11AM7R	DIODE	TE	
D231-234			LA1265	INDICATOR TUBE	TE	
D231-234			LA3401	IC(FM/AM TUNER)	TE	
D231-234			LM7001	IC(FM MPX)	TE	
IC201			CXP501116-397Q	IC(PLL FREQUENCY SYNTHESIZER)	TE	
IC201			CXP501116-397QA	IC(4BIT MICROPROCESSOR)	TE	
IC202			CX-7991	IC(SERIAL/PARALLEL CONVERTER)	TE	
Q1			2SC1923(R, Ø)	TRANSISTOR	TE	
Q2			2SC1845(F, E)	TRANSISTOR	TE	
Q3			JC501(P, Q)	TRANSISTOR	TE	
Q3			2SC1740S(Q, R)	TRANSISTOR	TE	
Q3			2SC2458(Y, GR)	TRANSISTOR	TE	
Q3			2SC2785(F, E)	TRANSISTOR	TE	
Q3			2SC2785(F, E)	TRANSISTOR	TE	
Q4			JC501(P, Q)	TRANSISTOR	TE	
Q4			2SC1740S(Q, R)	TRANSISTOR	TE	
Q4			2SC2458(Y, GR)	TRANSISTOR	TE	
Q4			2SC2785(F, E)	TRANSISTOR	TE	
Q4			2SC3311A(Q, R)	TRANSISTOR	TE	
Q4			JC501(P, Q)	TRANSISTOR	TE	
Q5			2SK163(L, M)	FET	TE	
Q5			2SK364(GR, BL)	FET	TE	
Q7			JC501(P, Q)	TRANSISTOR	TE	
Q7			2SC1740S(Q, R)	TRANSISTOR	TE	
Q7			2SC2458(Y, GR)	TRANSISTOR	TE	
Q7			2SC2785(F, E)	TRANSISTOR	TE	
Q7			2SC2458(Y, GR)	TRANSISTOR	TE	
Q7			2SC2785(F, E)	TRANSISTOR	TE	
Q102			2SC3311A(Q, R)	TRANSISTOR	TE	
Q102			JA101(P, Q)	TRANSISTOR	TE	
Q102			2SA1048(Y, GR)	TRANSISTOR	TE	
Q102			2SA1175(F, E)	TRANSISTOR	TE	

L:Scandinavia K:USA P:Canada S: SINGAPORE MADE
Y:PX(Far East, Hawaii) T:England E:Europe F: FRANCE MADE
Y:AFES(Europe) X:Australia M:Other Areas

△ indicates safety critical components.

A-A5/A5L A-A5/A5L

PARTS LIST

SPECIFICATIONS

* New Parts
 Parts without Parts No. are not supplied.
 Les articles non mentionnés dans le Parts No. ne sont pas fournis.
 Teile ohne Parts No. werden nicht geliefert.

Ref. No. 参照番号	Address 位置	New Parts 新部品番号	Parts No. 部品番号	Description 部品名 / 規格	Desti- nation 仕向	Re- marks 備考
Q102			2SA1309A(Q, R)	TRANSISTOR	TE	S
Q102			2SA933S(Q, R)	TRANSISTOR	TE	
Q103			JA101(P, Q)	TRANSISTOR	TE	
Q103			2SA1048(Y, GR)	TRANSISTOR	TE	
Q103			2SA1175(F, E)	TRANSISTOR	TE	
Q103			2SA1309A(Q, R)	TRANSISTOR	TE	
Q103			2SA933S(Q, R)	TRANSISTOR	TE	
Q104			JA101(P, Q)	TRANSISTOR	TE	
Q104			2SA1048(Y, GR)	TRANSISTOR	TE	
Q104			2SA1175(F, E)	TRANSISTOR	TE	
Q104			2SA1309A(Q, R)	TRANSISTOR	TE	
Q104			2SA933S(Q, R)	TRANSISTOR	TE	
Q105, 106			JC501(P, Q)	TRANSISTOR	TE	S
Q105, 106			2SC1740S(Q, R)	TRANSISTOR	TE	
Q105, 106			2SC2458(Y, GR)	TRANSISTOR	TE	
Q105, 106			2SC2785(F, E)	TRANSISTOR	TE	
Q105, 106			2SC3311A(Q, R)	TRANSISTOR	TE	
Q107, 108			2SC2458(Y, GR)	TRANSISTOR	YM	
Q107, 108			2SC3311A(Q, R)	TRANSISTOR	YM	
Q109, 110			2SD1302(S, T)	TRANSISTOR		
Q111			JA101(P, Q)	TRANSISTOR		S
Q111			2SA1048(Y, GR)	TRANSISTOR		
Q111			2SA1175(F, E)	TRANSISTOR		
Q111			2SA1309A(Q, R)	TRANSISTOR		
Q111			2SA933S(Q, R)	TRANSISTOR		
Q201, 202		*	2SC4038(Q, R)	TRANSISTOR	YM	
Q203		*	2SA1561(Q, R)	TRANSISTOR		
A1	3B, 3F		W02-1046-05	ELECTRIC CIRCUIT MODULE	TE	
DT1	2D, 2H		W02-1041-15	FM FRONT-END ASSY	KPYMX	
DT1	2D, 2H		W02-1042-15	FM FRONT-END ASSY		

L:Scandinavia
 Y:PX(Far East, Hawaii)
 Y:AAFS(Europe)

K:USA
 T:England
 X:Australia

P:Canada
 E:Europe
 M:Other Areas

S: SINGAPORE MADE
 F: FRANCE MADE

△ indicates safety critical components.

< K, P type >

Receiver unit (A-A5)

Amplifier section

Rated power output
 28 watts per channel minimum RMS, both channels driven, at 8 Ω from 40 Hz to 20,000 Hz with no more than 0.09 % total harmonic distortion

Total harmonic distortion

... 0.09 % (40 Hz ~ 20 kHz, 1/2 Rated power, 8 Ω)
 ... 0.06 % (1 kHz, 1/2 Rated power, 8 Ω)

Signal to noise ratio

..... 95 dB(IHF-66) / 80 dB(IHF-78)

Input sensitivity / Impedance

LD / AUX IN 150 mV / 47 kΩ

N.B. circuit (-30 dB Volume level)(max.) + 15 dB (at 60 Hz)

Output level / Impedance

SUPER WOOFER OUT 1.5 V / 3.6 kΩ

FM Tuner section

Tuning frequency range 87.5 MHz ~ 108 MHz
 Sensitivity (MONO at 75 Ω) 1.2 μV / 12.8 dBf
 Total harmonic distortion (at 1 kHz)
 MONO 0.5 % (65 dBf input)

STEREO 0.6 % (65 dBf input)

Signal to noise ratio (at 1 kHz)

MONO 80 dB (85 dBf input)

STEREO 74 dB (85 dBf input)

Selectivity (± 400 kHz) 50 dB

Stereo separation (at 1 kHz) 40 dB

Frequency response 30 Hz ~ 15 kHz, + 0.5 dB, - 3 dB

AM Tuner section

Tuning frequency range

..... 530 kHz ~ 1,700 kHz

Usable sensitivity 10 μV / (500 μV / m)

Signal to noise ratio

(at 30 % mod. 1 mV input) 48 dB

[General]

Power consumption 120 W

Dimensions W: 270 mm (10.5 / 8")

H: 120 mm (4.3 / 4")

D: 332 mm (13.1 / 16")

Weight (Net) 6.5 kg (14.3 lb)

SPECIFICATIONS

<T,E type>

Amplifier section

Rated power output
(IEC / NF) From 63 Hz to 12,500 Hz, 0.7 % T.H.D.
at 8 Ω 30 W + 30 W
(DIN) 1 kHz at 8 Ω 30 W + 30 W

Total harmonic distortion
.... 0.09 % (40 Hz ~ 20 kHz, 1/2 Rated power, 8 Ω)
..... 0.06 % (1 kHz, 1/2 Rated power, 8 Ω)

Signal to noise ratio
..... 95 dB(IHF'66) / 80 dB(IHF'78)

Input sensitivity / Impedance
LD / AUX IN 150 mV / 47 k Ω
N.B. circuit (-30 dB Volume level)(max.) + 15 dB
(at 60 Hz)

Output level / Impedance
SUPER WOOFER OUT 1.5 V / 3.6 k Ω

FM Tuner section

Tuning frequency range 87.5 MHz ~ 108 MHz

Sensitivity (DIN at 75 Ω)
MONO 0.7 μ V

Total harmonic distortion (DIN at 1 kHz)
MONO 0.6 % (65.2 dBf input)
STEREO 0.8 % (65.2 dBf input)

Signal to noise ratio (DIN weighted at 1 kHz)
MONO 70 dB (65.2 dBf input)
STEREO 64 dB (65.2 dBf input)

Selectivity (DIN \pm 300 kHz) 60 dB

Stereo separation (DIN)
1 kHz 40 dB

Frequency response 30 Hz ~ 15 kHz, + 0.5 dB, - 3 dB

MW Tuner section

Tuning frequency range 531 kHz ~ 1,602 kHz

Usable sensitivity 10 μ V / (500 μ V / m)

Signal to noise ratio
(at 30 % mod. 1 mV input) 48 dB

LW Tuner section

Tuning frequency range 153 kHz ~ 281 kHz

Usable sensitivity 22 μ V

Signal to noise ratio
(at 30 % mod. 1 mV input) 45 dB

[General]

Power consumption 120 W

Dimensions W: 270 mm (10-5 / 8")
H: 120 mm (4-3 / 4")
D: 332 mm (13-1 / 16")

Weight (Net) 6.5 kg (14.3 lb)

A-A5/A5L

SPECIFICATIONS

<Y,M,X type>

Amplifier section

Rated power output
(EIAJ 8 Ω) 35 W + 35 W
(IHF'66) From 40 Hz to 20 kHz, 0.09 % T.H.D.
at 8 Ω 30 W + 30 W
(IEC / NF) From 63 Hz to 12,500 Hz, 0.7 % T.H.D.
at 8 Ω 30 W + 30 W

Total harmonic distortion
.... 0.09 % (40 Hz ~ 20 kHz, 1/2 Rated power, 8 Ω)
..... 0.06 % (1 kHz, 1/2 Rated power, 8 Ω)

Signal to noise ratio
..... 95 dB(IHF'66) / 80 dB(IHF'78)

Input sensitivity / Impedance
LD / AUX IN 150 mV / 47 k Ω
MIC 1.2 mV / 47 k Ω
N.B. circuit (-30 dB Volume level)(max.) + 15 dB
(at 60 Hz)

Output level / Impedance
SUPER WOOFER OUT 1.5 V / 3.6 k Ω

FM Tuner section

Tuning frequency range 87.5 MHz ~ 108 MHz
Sensitivity (MONO at 75 Ω) 1.2 μ V / 12.8 dBf
Total harmonic distortion (at 1 kHz)
MONO 0.5 % (65 dBf input)
STEREO 0.6 % (65 dBf input)

Signal to noise ratio (at 1 kHz)
MONO 80 dB (85 dBf input)
STEREO 74 dB (85 dBf input)

Selectivity (\pm 400 kHz) 50 dB
Stereo separation (at 1 kHz) 40 dB
Frequency response 30 Hz ~ 15 kHz, + 0.5 dB, - 3 dB

AM Tuner section

Tuning frequency range
9 kHz step 531 kHz ~ 1,700 kHz
10 kHz step 530 kHz ~ 1,610 kHz

Usable sensitivity 10 μ V / (500 μ V / m)
Signal to noise ratio
(at 30 % mod. 1 mV input) 48 dB

[General]

Power consumption 120 W
Dimensions W: 270 mm (10-5 / 8")
H: 120 mm (4-3 / 4")
D: 332 mm (13-1 / 16")
Weight (Net) 6.5 kg (14.3 lb)

KENWOOD follows a policy of continuous advancements in development. For this reason specifications may be changed without notice.

KENWOOD poursuit une politique de progrès constants en ce qui concerne le développement. Pour cette raison, les spécifications sont sujettes à modifications sans préavis.

KENWOOD strebt ständige, Verbesserungen in der Entwicklung an. Daher bleiben Änderungen der technischen Daten jederzeit vorbehalten.

Note:

Component and circuitry are subject to modification to insure best operation under differing local conditions. This manual is based on, the U.S.A. (K) standard, and provides information on regional circuit modification through use of alternate schematic diagrams, and information on regional component variations through use of parts list.

KENWOOD CORPORATION

Shionogi Shibuya Building, 17-5, 2-chome Shibuya, Shibuya-ku, Tokyo 150, Japan

KENWOOD U.S.A. CORPORATION

CONSUMER ELECTRONICS GROUP
P.O. BOX 22745, 2201 East Dominguez St., Long Beach, CA 90810 U.S.A.

KENWOOD ELECTRONICS CANADA INC.

6070 Kestrel Road, Mississauga, Ontario, Canada L5T 1S8

KENWOOD ELECTRONICS LATIN AMERICA S.A.

P.O. BOX 55-2791, Piso 6 Plaza Chase, Cl. 47 y Aquilino de la Guardia, Panama, Republic de Panama

TRIO-KENWOOD U.K. LIMITED

KENWOOD House, Dwight Road, Watford, Herts, WD1 8EB United Kingdom

KENWOOD ELECTRONICS BENELUX N.V.

Mechelsesteenweg 418 B-1930 Zaventem, Belgium

KENWOOD ELECTRONICS DEUTSCHLAND GMBH

Rembrücker Str. 15, 6056 Heusenstamm, Germany

TRIO-KENWOOD FRANCE S.A.

13 Boulevard Ney, 75018 Paris, France

KENWOOD LINEAR S.p.a.

20125, Milano-Via Arbe, 50, Italy

KENWOOD ESPAÑA S.A.

Bolivia, 239-08020 Barcelona, Spain

KENWOOD ELECTRONICS AUSTRALIA PTY. LTD. (A.C.N. 001 499 074)

P.O. BOX 504, 8 Figtree Drive, Australia Centre, Homebush, N.S.W. 2140, Australia

KENWOOD & LEE ELECTRONICS, LTD.

Unit 3712-3724, Level 37 Tower 1, Metroplaza, 223 Hing Fong Road, Kwai Fong N.T. Hong Kong

KENWOOD ELECTRONICS SINGAPORE PTE LTD

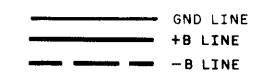
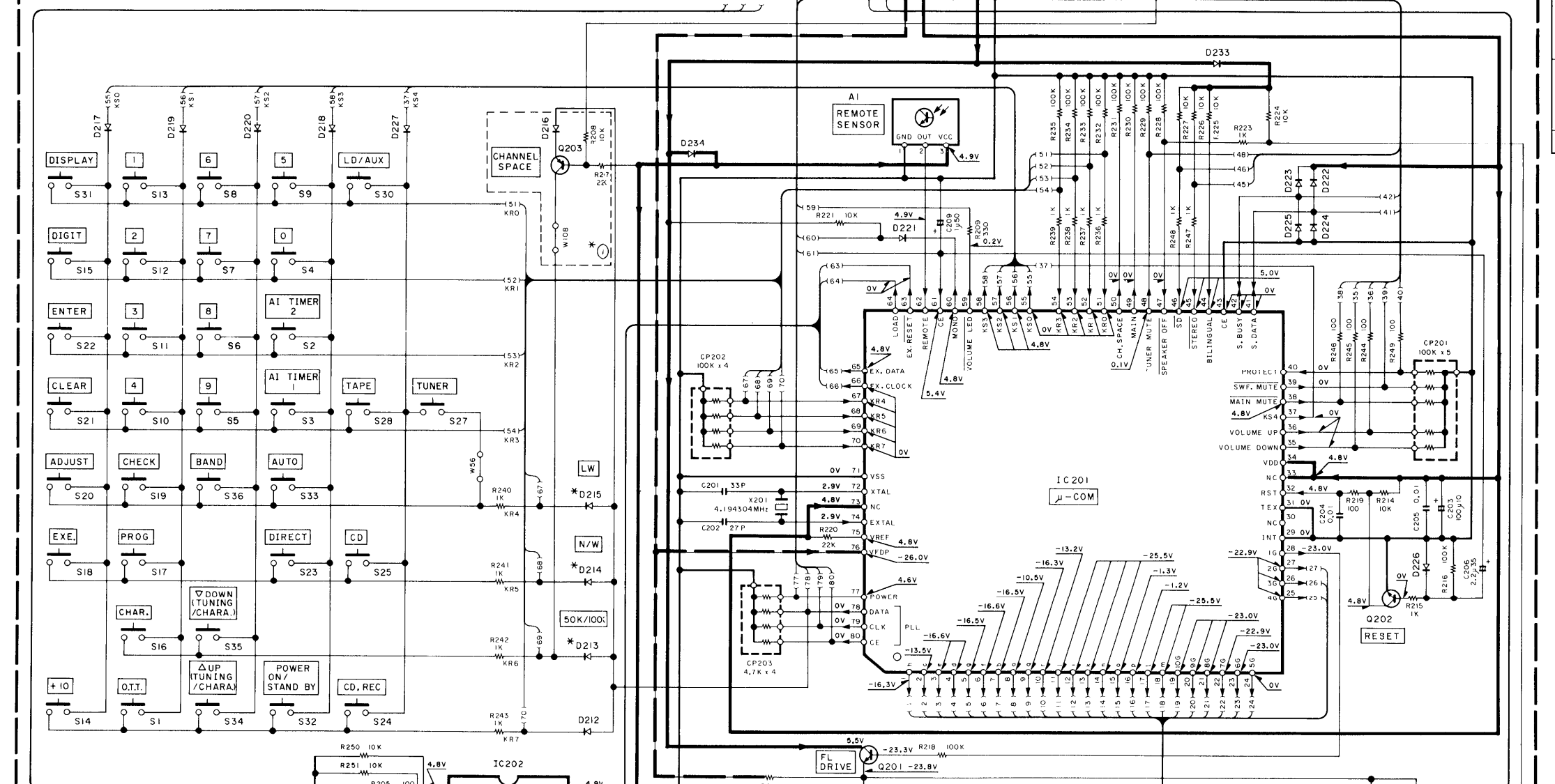
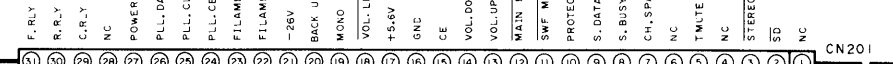
No. 1 Genting Lane # 07-00, Singapore, 1334

<K,P,T,E type>
(X09-11A/6)
CN6



(X09-11A/6)
CN2
<Y,M,X type>

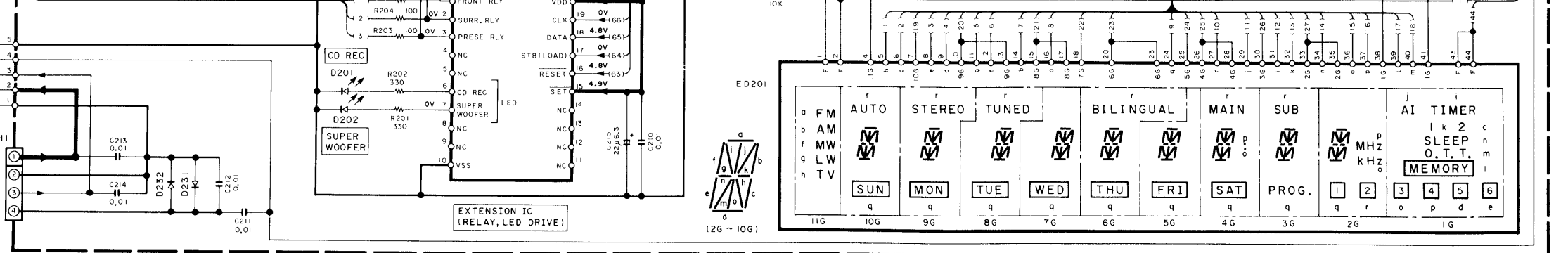
(X14-362X-XX)(A/3): JAPAN MADE
(X14-364X-XX)(A/3): SINGAPORE, FRANCE MADE



<K,P,T,E type>
(X09-11A/6)
CN5



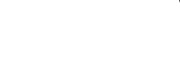
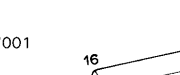
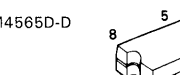
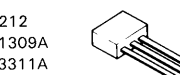
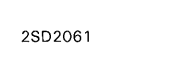
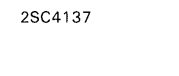
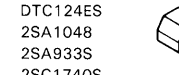
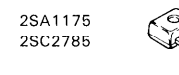
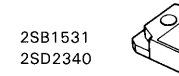
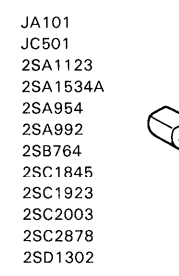
(X09-11A/6)
CN2
<Y,M,X type>



A-A5(K)(4/4)

PRODUCT P	MOEL NAE	DESTINATION COUNTRY	ABB	UNIT NAME	D213	D214	D215	(A)
JAPAN MADE	A-5	U.S.A CANADA	K P	X14-3620-12	NO	NO	NO	NO
		GENERAL MARKET	Y M	X14-3620-22	NO	YES	NO	YES
		AUSTRALIA	X	X14-3620-72	YES	YES	NO	NO
SINGAPORE MADE	A-5	U.S.A CANADA	K P	X14-3640-11	NO	NO	NO	NO
		GENERAL MARKET	M	X14-3640-22	NO	YES	NO	YES
		AUSTRALIA	X	X14-3640-72	YES	YES	NO	NO
FRANCE MADE	A-6L	EUROPE	T	X14-3642-72	YES	YES	NO	NO
		EUROPE ENGLAND	E	X14-3642-73	YES	YES	YES	NO
		EUROPE ENGLAND	E	X14-3642-73	YES	YES	YES	NO

- IC201 : GP50116-397Q or GP50116-397QA CI-7991
- IC202 : ZC4038(Q,R) ZC1561(Q,R)
- Q201,202 : B0-1291-05 D212-227,23-234 HSI104 or SS133 or N4148
- A1 : W02-1046-05
- ED201 : F711AM7R



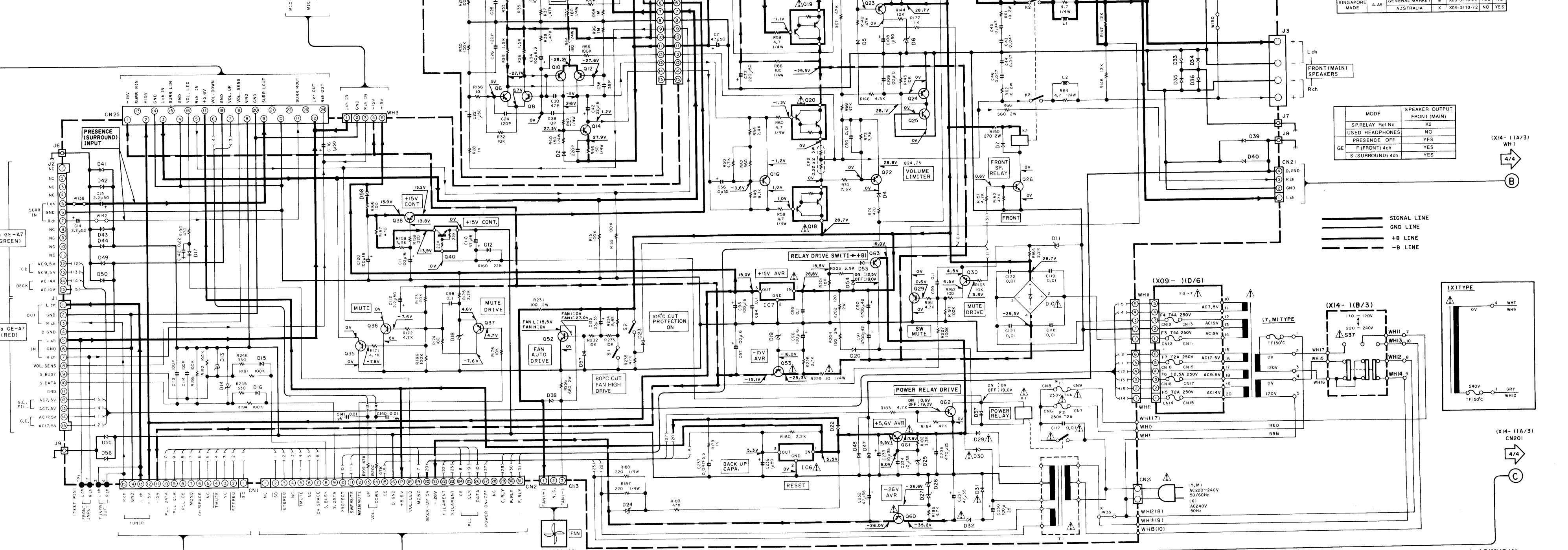
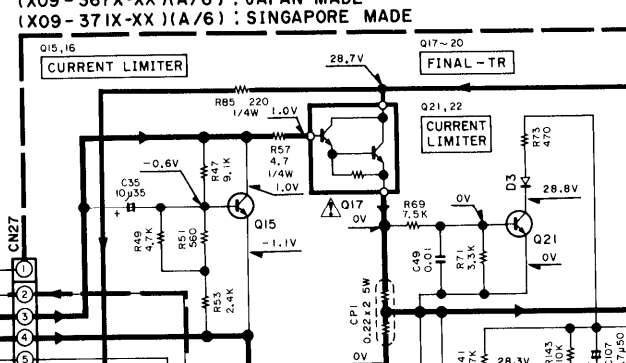
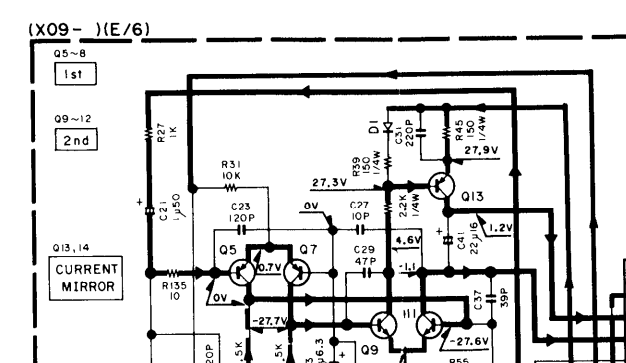
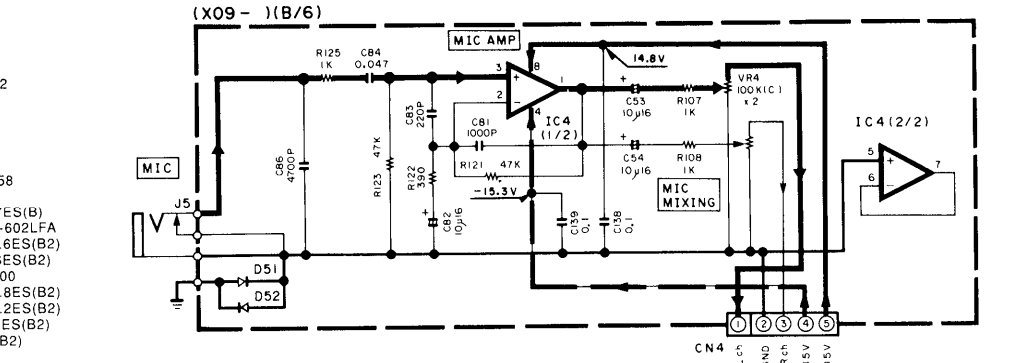
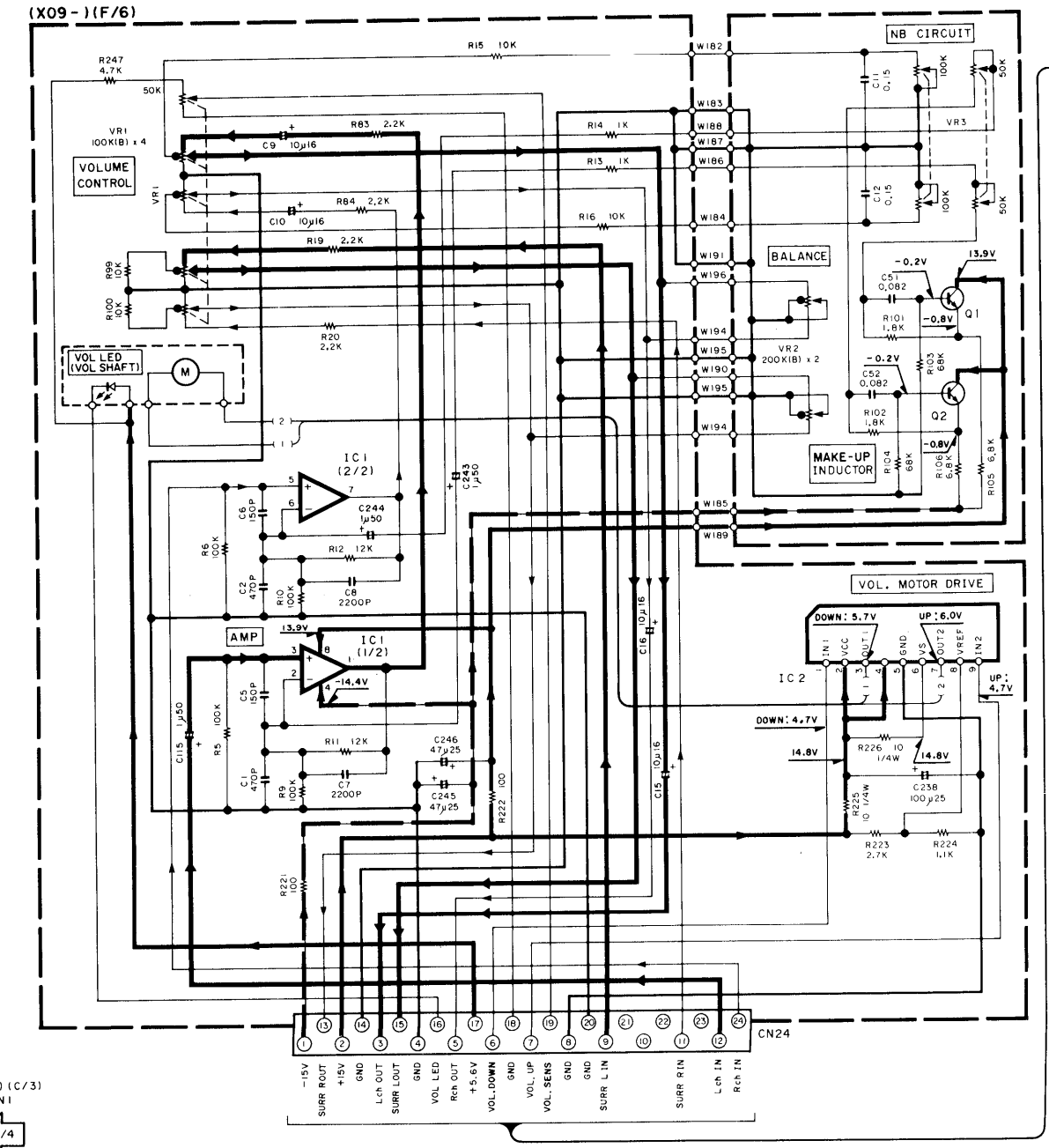
CAUTION: For continued safety, replace safety critical components only with manufacturer's recommended parts (refer to parts list). Indicates safety critical components. To reduce the risk of electric shock, leakage-current or resistance measurements shall be carried out (exposed parts are acceptably insulated from the supply circuit) before the appliance is returned to the customer.

DC voltages are as measured with a high impedance voltmeter. Values may vary slightly due to variations between individual instruments or/and units.

CAUTION: For continued safety, replace safety critical components only with manufacturer's recommended parts (refer to parts list). **⚠** indicates safety critical components. To reduce the risk of electric shock, leakage-current or resistance measurements shall be carried out (exposed parts are acceptably insulated from the supply circuit) before the appliance is returned to the customer.

DC voltages are as measured with a high impedance voltmeter. Values may vary slightly due to variations between individual instruments or/and units.

- | | | | |
|-----------------------|---|----------------------------------|-----------------------------|
| IC1,4 | : NJM4565D-D | Q40 | : DTC124ES or U14212 |
| IC2 | : TA8409S | Q53 | : 2SA954(L,K) |
| IC6 | : PST529C | Q60 | : 2SA1534(R,S) |
| IC7 | : TA7815S or μ PC7815AHF | Q61 | : 2SD2061(E,F,G) |
| Q1,2,9-12,21,22,24,25 | : 2SC1845(F,E) | D1-5,7,12,15-17,22,23,33-4447-58 | |
| Q5-8,13,14,63 | : HSS104A or 15S31 | D6,11,18 | : HZS4,7N(B) or J34 / ES(B) |
| Q15,16 | : 2SA992(F,E) | D10 | : DS8A20F03 or 18V-80LFA |
| Q17,18 | : 2SC4137(V,W) | D13,14 | : HZS5,6N(B2) or 1D5,6S(B2) |
| Q19,20 | : 2SB1531 | D19 | : HZS16N(B2) or 1D16,6S(B2) |
| Q23 | : 2SA1123(R,S) | D20-29-32 | : S688B or 13R19-100 |
| Q26,52,62 | : 2SC2003(L,K) | D24 | : HZS6,8N(B2) or 1D6,8S(B2) |
| Q29,35,36 | : 2SC2878(B) | D25 | : HZS6,2N(B2) or 1D6,2S(B2) |
| Q30,37 | : 2SA933S(Q,R) or 2SA1175(F,E) | D26 | : HZS11N(B2) or 1D11,6S(B2) |
| Q38 | : 2SC1740S(Q,R) or 2SC2458(Y,GR) or 2SC3311A(Q,R) | D27 | : HZS16N or RD1ES(B2) |



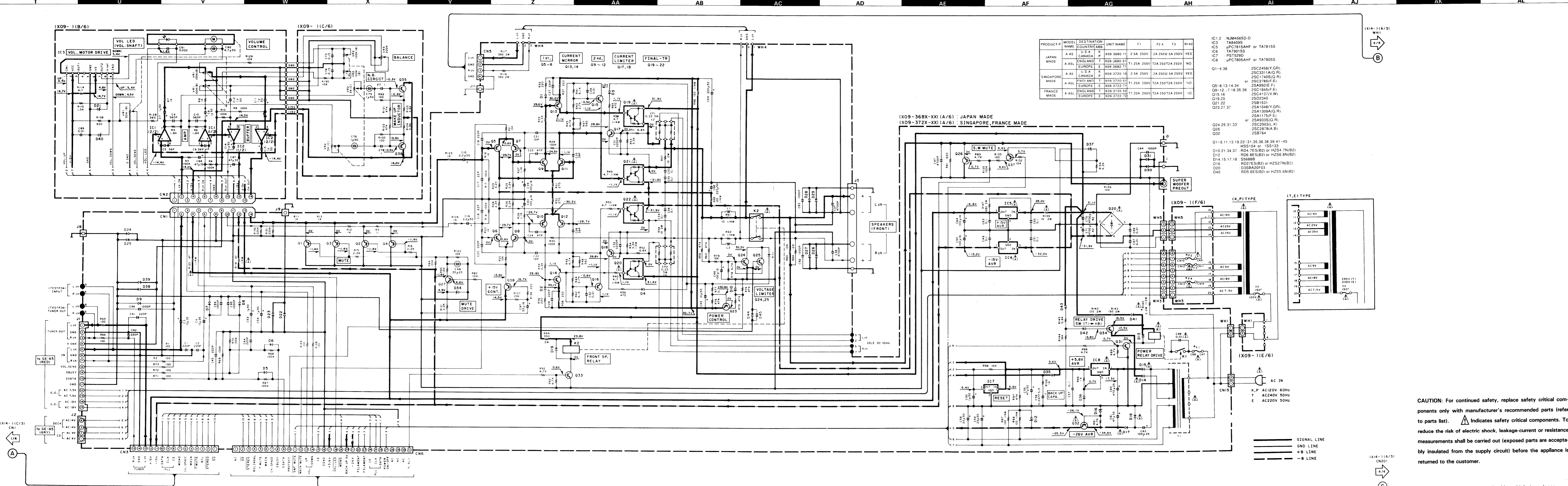
PRODUCT	MODEL NAME	DESTINATION COUNTRY	ABB	UNIT NAME	F1	W3
JAPAN MADE	AAS	GENERAL MARKET	M	X09-3670-22	YES	NO
AUSTRALIA MADE	AAS	AUSTRALIA	X	X09-3670-22	NO	YES
SINGAPORE MADE	AAS	GENERAL MARKET	M	X09-3710-22	YES	NO
AUSTRALIA MADE	AAS	AUSTRALIA	X	X09-3710-22	NO	YES

MODE	SPEAKER OUTPUT FRONT (MAIN)
S (RELAY Ref No. USED HEADPHONES)	NO
P (PRESENCE OFF)	YES
F (FRONT) 4ch	YES
S (SURROUND) 4ch	YES

— SIGNAL LINE
— GND LINE
— +B LINE
— -B LINE

- | | | | | | | | | | | | | | | | | | | | | |
|----------|---------|---------|---------|----------|---------|---------|----------|---------|------------|--------|---------|---------|---------|------------|--------|--------|---------|---------|---------|----------|
| JA101 | 2SB764 | 2SB1531 | 2SA1175 | DTC124ES | 2SC4137 | 2SD2061 | UN4212 | 2SC4038 | NJM4565D-D | LM7001 | TA8409S | PST529D | PST529C | UPC7805AHF | 2SK163 | LA1265 | CX-7991 | TA7806S | TA7815S | TA79015S |
| JC501 | 2SC1845 | 2SA1048 | 2SC2785 | 2SA1048 | | | 2SA1309A | | | | | | | UPC7815AHF | 2SK364 | LA3401 | | | | |
| 2SA1123 | 2SC1923 | 2SC2003 | | 2SA933S | | | 2SC3311A | | | | | | | | | | | | | |
| 2SA1534A | 2SC2878 | 2SA954 | | 2SC1740S | | | | | | | | | | | | | | | | |
| 2SA992 | 2SD1302 | | | 2SC2458 | | | | | | | | | | | | | | | | |

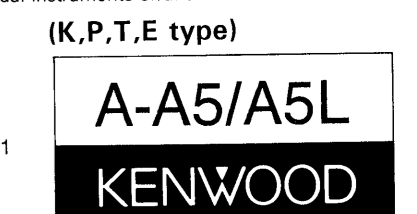
(Y,M,X type)
A-A5/A5L
KENWOOD

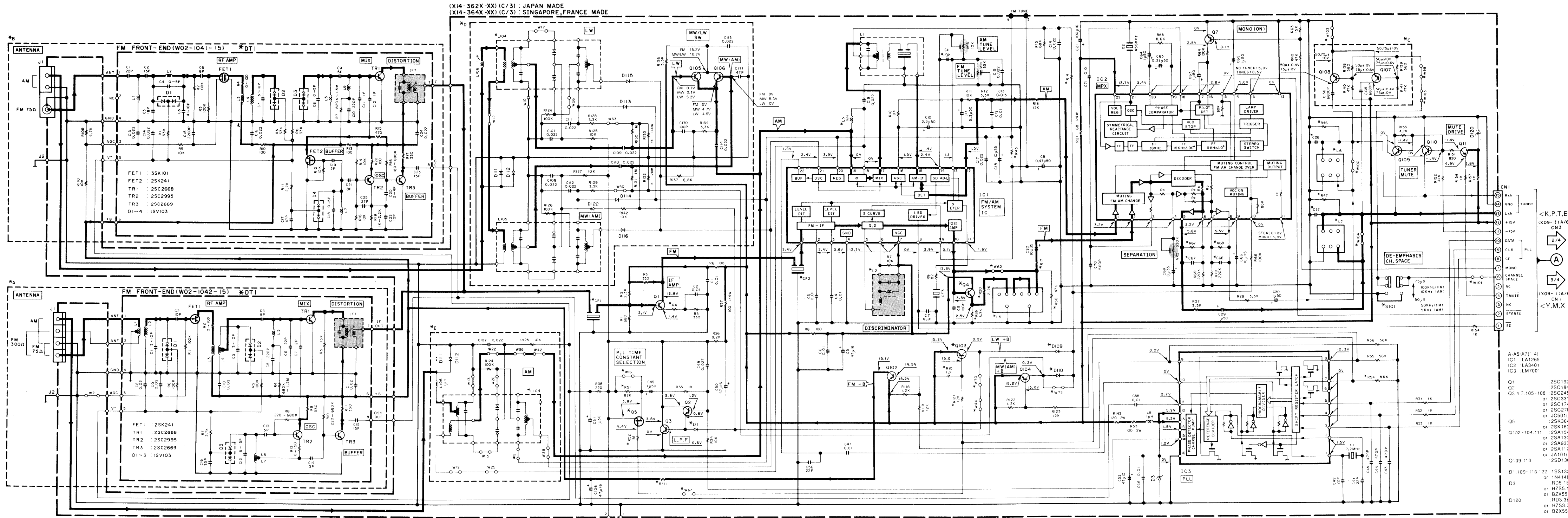


- | | | | | | | | | | | | | | | | | | | | |
|----------|---------|---------|---------|----------|----------|----------|----------|---------|------------|--------|---------|---------|---------|------------|--------|--------|---------|---------|----------|
| JA101 | 2SB784 | 2SB1531 | 2SA1175 | DTC124ES | 2SC4137 | 2SD2061 | UN4212 | 2SC4038 | NJM4565D-D | LM7001 | TA8409S | PST529D | PST529C | UPC7805AHF | 2SK163 | LA1265 | CX-7991 | TA7805S | TA79015S |
| JC501 | 2SC1845 | 2SC1240 | 2SC2785 | 2SA1048 | 2SA1048 | 2SA1309A | 2SC3311A | | | | | | | | 2SK384 | LA3401 | | TA7818S | |
| 2SA1123 | 2SC1923 | | | 2SA933S | 2SC1740S | | | | | | | | | | | | | | |
| 2SA1534A | 2SC2003 | | | 2SA935S | 2SC2458 | | | | | | | | | | | | | | |
| 2SA934 | 2SC2878 | | | 2SA935S | | | | | | | | | | | | | | | |
| 2SA992 | 2SD1302 | | | 2SD2340 | | | | | | | | | | | | | | | |

CAUTION: For continued safety, replace safety critical components only with manufacturer's recommended parts (refer to parts list). Δ Indicates safety critical components. To reduce the risk of electric shock, leakage-current or resistance measurements shall be carried out (exposed parts are acceptably insulated from the supply circuit) before the appliance is returned to the customer.

DC voltages are as measured with a high impedance voltmeter. Values may vary slightly due to variations between individual instruments or/and units.





A-AS/ASL

MODEL	COUNTRY	UNIT NAME	A	B	C	D	E	R4	R14	R17	R19,20	R43	R46	R67	R81	C27	C87	Q4,5	D1,109	DF1,2	DF1,2	S101	L2	L3,5	L104	W16,22,62	W44	W98			
JAPN. MADE	A/AS	U.S.A. CANADA	K	X14-3620-12	YES	NO	NO	YES	56	4.7K	5K	NO	12K	39K	100K	330	0.022	100P	NO	NO	053	1042	NO	0439	NO	0189	YES	NO	NO		
		GENERAL MARKET	Y	X14-3620-22	YES	NO	YES	56	4.7K	5K	NO	27K	39K	100K	330	0.015	100P	NO	NO	NO	NO	053	1042	YES	0494	NO	0189	YES	NO	YES	
		AUSTRALIA	X	X14-3620-72	YES	NO	NO	YES	56	4.7K	5K	NO	27K	39K	100K	330	0.015	100P	NO	NO	NO	NO	053	1042	NO	0494	NO	0189	YES	NO	YES
SINGAPORE MADE	A/AS	EUROPE ENGLAND	T	X14-3642-72	NO	YES	NO	22	2.7K	2K	YES	27K	3.3K	180K	220	3900P	270P	YES	YES	056	1041	NO	0494	YES	0195	NO	YES	NO	NO		
		U.S.A. CANADA	K	X14-3640-11	YES	NO	NO	YES	56	4.7K	5K	NO	27K	39K	100K	330	0.022	100P	NO	NO	NO	NO	053	1042	NO	0435	NO	0189	YES	NO	NO
		GENERAL MARKET	M	X14-3640-22	YES	NO	YES	56	4.7K	5K	NO	27K	39K	100K	330	0.015	100P	NO	NO	NO	NO	053	1042	YES	0494	NO	0189	YES	NO	YES	
FRANCE MADE	A/ASL	AUSTRALIA	X	X14-3640-72	YES	NO	NO	YES	56	4.7K	5K	NO	27K	39K	100K	330	0.015	100P	NO	NO	NO	NO	053	1042	NO	0494	NO	0189	YES	NO	NO
		EUROPE ENGLAND	T	X14-3642-72	NO	YES	NO	22	2.7K	2K	YES	27K	3.3K	180K	220	3900P	270P	YES	YES	056	1041	NO	0494	YES	0195	NO	YES	NO	NO		
		EUROPE	E	X14-3642-73	NO	YES	NO	22	2.7K	2K	YES	27K	3.3K	180K	220	3900P	270P	YES	YES	056	1041	NO	0494	YES	0195	NO	YES	NO	NO		

- JA101 2SB764
- JC501 2SC1845
- 2SA1123 2SC1923
- 2SA1534A 2SC2003
- 2SA954 2SC2878
- 2SA992 2SD1302
- 2SB1531 2SD2340
- 2SA1175 2SC2785
- DTC124ES 2SA1048
- 2SA933S 2SC1740S
- 2SC2458
- 2SC4137
- 2SD2061
- UN4212 2SA1309A
- 2SC3311A
- NJM4565D-D
- 2SC4038
- LM7001
- TA8409S
- PST529D
- PST529C
- UPC7805AHF
- UPC7815AHF
- 2SK163 2SK364
- LA1265 LA3401
- CX-7991
- TA7805S TA7815S
- TA79015S

<K,P,T,E type>
 (K09-11A/61) CNS
 2/4
 A
 3/4
 (K09-11A/61)
 <Y,M,X type>

A AS A7(141)
 IC1 LA1265
 IC2 LA3401
 IC3 LM7001
 Q1 2SC1923(R O)
 Q2 2SC1845(F E)
 Q3 4.7-105-108 2SC2458(Y GR)
 or 2SC3311A(Q R)
 or 2SC1740S(Q R)
 or 2SC2785(F E)
 or JC501(P Q)
 Q5 2SK364(GH BL)
 or 2SK163(L M)
 or 2SA1048(Y GR)
 or 2SA1309A(Q R)
 or 2SA933S(Q R)
 or 2SA1175(F E)
 or JA101(P Q)
 or 2SD1302(S T)
 Q109-110 15S133 or HSS104
 or H4148
 D3 R05 1S(B2)
 or HZ55 1N(B2)
 or BZ55-C5V1
 or R03 3S(B2)
 or HZ53 3N(B2)
 or BZ55-C3V3
 D120

— SIGNAL LINE
 — IND LINE
 — B LINE

A-45/A5L(K)(1/4)

CAUTION: For continued safety, replace safety critical components only with manufacturer's recommended parts (refer to parts list). Indicates safety critical components. To reduce the risk of electric shock, leakage-current or resistance measurements shall be carried out (exposed parts are acceptably insulated from the supply circuit) before the appliance is returned to the customer.

DC voltages are as measured with a high impedance voltmeter. Values may vary slightly due to variations between individual instruments or/and units.